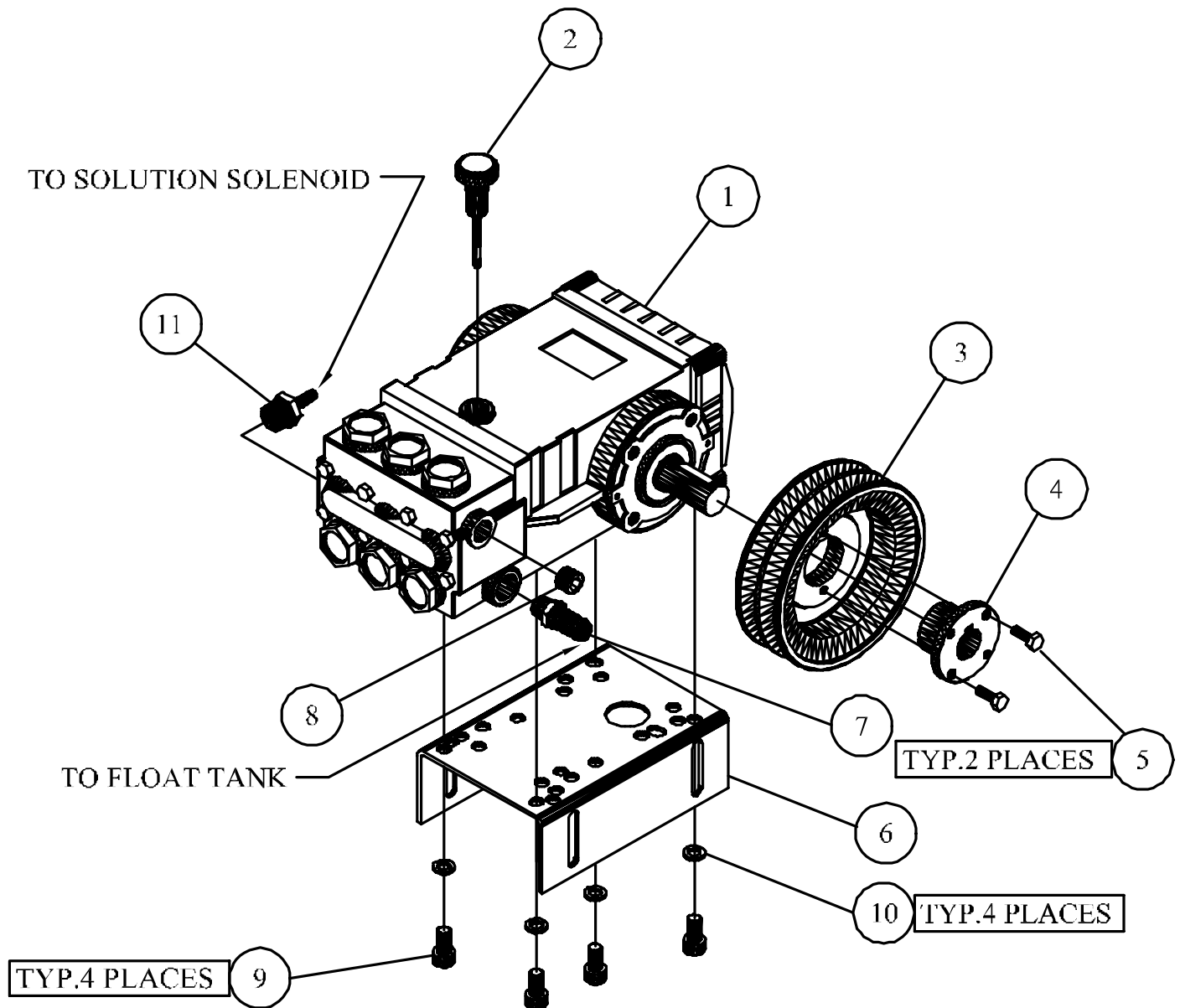


JENNY PRODUCTS INC.
 HPW3050, GES, 208-230/60 1PH, N.C., LWC, ELECT-IGN
 &
 208-575/60/3PH

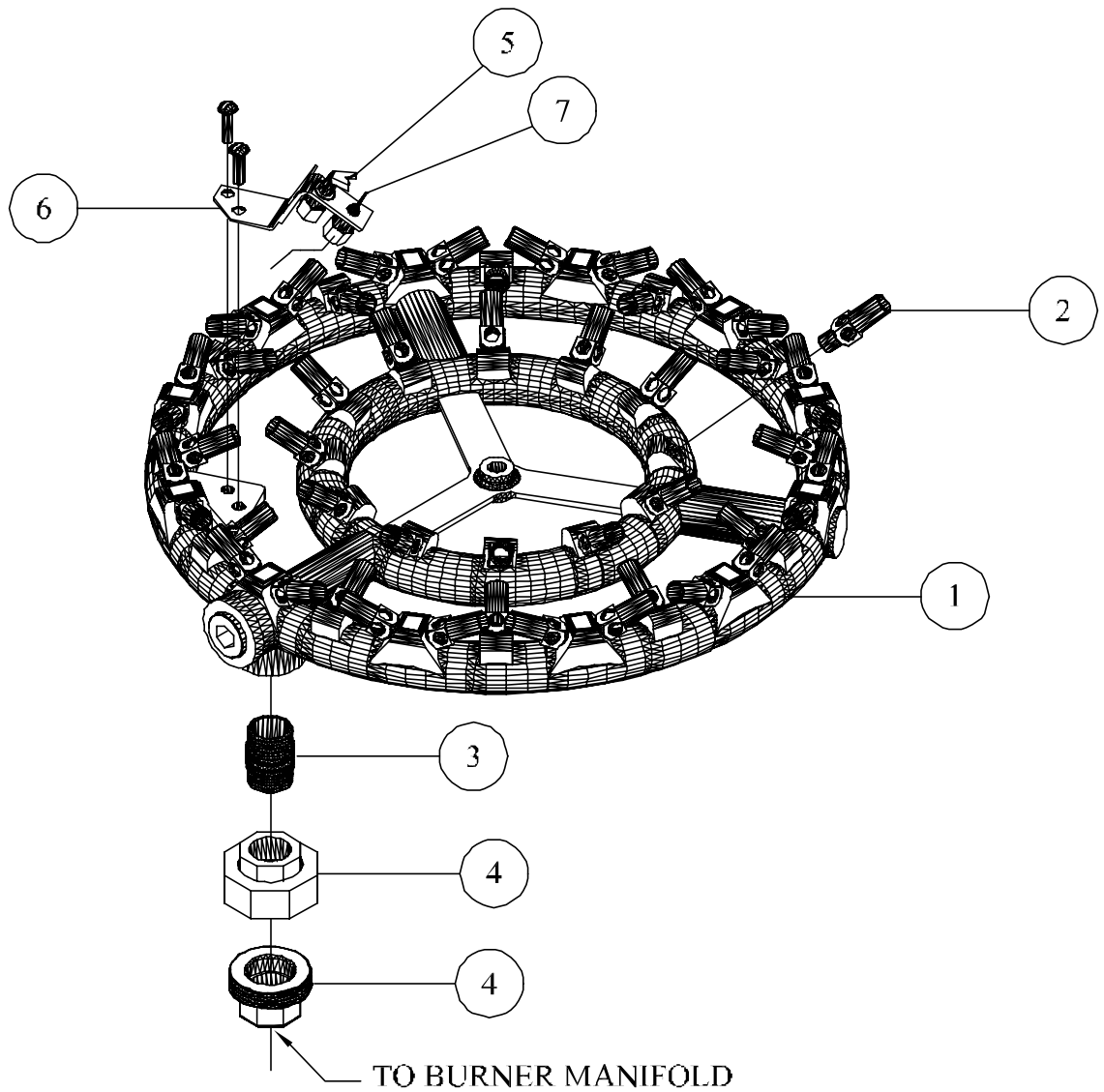
HPW3050, GES, N/C, LWC			
230/60/3			
PARTS LIST			
Notes: Figure 20-(Common Parts)			
Electrical Dia. File Jw 302 W/ 1PH			
Jw 304 3PH			
ITEM NO.	DESCRIPTION	QTY.	PART NO.
1	CHASSIS,MODULE,MOTOR-PUMP,GES,LES	1	JD8500
2	CHASSIS,MODULE,COIL,STL,PNTD,SIZE-B	1	JD8502
3	CASING,COIL,STEEL,PAINTED,3050-C,SIZE-B	1	JD8505
4	LEGS,STATIONARY,STEEL,PAINTED,GES	4	JD8507
5	LEG,ADJUSTABLE,FRONT,STEEL,PAINTED,GES	1	JD8508
6	LEG,ADJUSTABLE,REAR,STEEL,PAINTED,GES	1	JD8509
7	PANEL,SUPPORT,COVER,REAR,STEEL,PNTD,GES	1	JD8510
8	PANEL,SIDE,MODULE,CHASSIS,MTR-PMP,ST,GES	1	JD8515
9	BRACKET,SUPPORT,BURNER,ST,3050,SIZE-B	1	JD8518
10	ASSY COVER,SS,ASSY,NEW,GES	1	JD8523
11	COVER,MACHINE,SS,GES	1	JD8516
12	MOLDING,RUBBER,FOAM,ADHESIVE,1/2WX1/8T	1	JD3782-B
13	SCREW,PHILLIPS,HEAD,"N",COVER	10	JP7733
14	RETAINER,SCREW,PHILLIPS,HEAD,"N"	10	JP7733-02
15	SHIELD,HEAT,BURNER,ST,PAINTED,SIZE-B	1	JD8521
16	INSULATION,CERAMIC,1X34X58,6#	1	JD3181
17	WASHER,STRAINER,MESH,WIRE,BRASS,#30	2	JD 809
18	ASSY SEE FIG 1-4 TANK,FLOAT,ASSY,W/FITTINGS,1550-C	1	JD8245-E
19	BAFFLE,TANK,FLOAT,REMOVABLE		JP3385-08
20	ADAPTER,EXPANDING,BRASS,1/2MX1/2F	1	JD6224-04
21	NIPPLE,BRASS,1/2NPTX3LONG	1	JD 3094-02
22	ELBOW,FEMALE,BRASS,FORGED,1/2NPT	1	JD 692-02
23	CONNECTOR,BRASS,3/4 GARDEN HOSE X 1/2NPTM,SWIV	1	JD7142
24-A	MTR,10HP,230-480/60/3,172SRPM,TEFC,F2,CF	1	JB 3019
24-B	MTR,10HP,230/60/1,1725RPM,TEFC,F2,CF	1	JB 3018
24-C	MTR,10HP,575/60/3,1725 RPM,TEFC,F2	1	JB 3020
25	PULLEY,CLDG,TH,2BK47H,3.7PDA,4.1PDB	1	JD 3904-05
26	BUSHING,PULLEY,TAPERED,1-1/8"BORE	1	JD 3915-04
27	CONNECTOR,RELIEF,STRAIN,700-950,1NPTM	1	JD 1687-19
28-A	WIRE,SO,CPE,BLACK,8/4	2	JE 479
28-B	WIRE,SO,CPE,BLACK,8/3	2.5'	JE 485
29	CONNECTOR,WIRE,CRIMP ON,6-12GAUGE	3	JD3952-B
30	SENSOR,IGNITER,W/MT-BRKT,& HARDWARE,60"LD	1	JP7694-D
31	HOSE,WASH,PRESSURE,3000PSI,250F,3/8 X50FT	1	JD7790-A
32	ASSY SEE FIG. 20-2 SWITCH,PRESSURE,W/BRACKET,WELDED, ASSY	1	JP7731
33	ASSY SEE FIG 1-3 MANIFOLD,FITTINGS,VALVE,HPW3050,ASSY,GES	1	JD8206
34	BELT,VEE,COG,BX40	2	JD3959-10
35	ASSY SEE FIG. 20-1 VALVE,SOLENOID,SOLUTION,24V,1/4NPT	1	JD2162-F
36	CLAMP,SLEEVE,PLASTIC,3/8 I.D.	4	JD2759
37	HOSE,HYD,3K,PSI,31"L,3/8NPTM,90DEG-3/8NPTM	1	JD7893
38	LANCE,INSULATED,STEEL,ZINC-PLATED,1/4X36	1	JP7080-O
39	SOCKET,QUICK,COUPLING,BRASS,1/4" NPTF	1	JD3102-02
40	GUN,TRIGGER,3000PSI,8GPM,320F	1	JD6068-B

41ASSY SEE FIG 1-1	PUMP,MOUNTING&FITTINGS,ASSY,3050	1	JD8315
	OIL,PUMP,SYNTHETIC,HIGH-PERFORMANCE,1 QT	1	JD7999-A
	OIL,PUMP,SYNTHETIC,HIGH-PERFORMANCE,1 PT	1	JD7999-B
42ASSY SEE FIG 1-5	MANIFOLD,BURNER,INLET,ASSY,GES,LES	1	JP5927-J
43ASSY SEE FIG 1-2	BURNER,GAS,NATURAL,ASSY,1560,1000C,GES	1	JP5927-A
44-A ASSY SEE FIG 1-6	BOX,JCT,PANEL,FRONT,230-575/3PH,30A,GAS	1	JB2005
44-B ASSY SEE FIG 1-6	BOX,JCT,PANEL,FRONT,208-230/1PH,30A,GAS	1	JB2004
45ASSY SEE FIG 1-7	PLATE,COVER,PANEL,CONT,BOX,JCT,HPW,GES	1	JD8513
46	HOSE,HYD,3K PSI,47" L,3/8NPTM,3/8NPTM	1	JD7897
47	NOZZLE,SPRAY,PSI,SS,QCK CON,0 DEG,O#5.5	1	JD7755-03
48	NOZZLE,SPRAY,PSI,SS,QCK CON,15DEG,O#5.5	1	JD7756-03
49	NOZZLE,SPRAY,PSI,SS,QCK CON,25DEG,O#5.5	1	JD7757-03
50	NOZZLE,SPRAY,PSI,SS,QCK CON,40DEG,O#5.5	1	JD7758-03
51	SOCKET,QUICK COUPLING,STAINLESS,3/8NPTF	1	JD3102-A
52	PLUG,QUICK COUPLING,STAINLESS,3/8" NPTM	1	JD3103-B
53	COIL,GAS,FIRE,1/2"PIPE,SCH80	1	JP5909-B
54	TEE,FEMALE,STEEL,PLATED,1/2NPT	1	JD3734-01
55	BUSHING,REDUCER,HEX,STEEL,PLATED,1/2X3/8	2	JD2599
56	ELBOW,REDUCER,ST,PLTD,90DEG,FEM,1/2X3/8	1	JD7847
57	THERMOSTAT,IMMERSION,SP,ST,NC,240 DEG F	1	JD7137
58	RING,CASING,COIL,SS,18-7/8ODX9-15/16ID	1	JD3256
59	HOSE,RUBBER,GARDEN,5/8	1.6	JL 146
60	CLAMP,WIRE,IGNITION,STAND OFF	1	JD7001
61	GROMMET,RUBBER,BLACK,5/8" I.D.	2	JD3385
62	GROMMET,RUBBER,BLACK,7/16" DIAMETER	6	JD3385-01
63	CLAMP,CABLE,NYLON,1/4"	2	JD1529
64	GROMMET,RUBBER,BLACK,1-13/16" DIAMETER	3	JP 675
65	STRAINER,CHEMICAL,BRASS,1/4"HOSEBARB	1	JD7140-A
66	TUBING,PVC,CLEAR,3/8ODX1/4ID	7.1	JD3087
67	SCREW,FLANGE,HEX,SERR,ST,PL,1/4-20X1/2	22	JD7904-A
68	BOLT,ELEVATOR,STEEL,PLTD,3/8X2-1/2,1" HD	2	JD7906-G
69	SCREW,SLF TAP,PHILLIPS,ST,PL,8-32X3/8	12	JD3043
70	SCREW,FLANGE,HEX,SERR,ST,PL,5/16-18X1/2	2	JD7905
71	SCREW,FLANGE,HEX,SERR,ST,PL,3/8-16X3/4	34	JD7906-A
72	NUT,LOCK,FLANGE,HEX,SERR,ST,PL,3/8-16	12	JD7774-F
73	SCREW,CAP,HEX HD,ST,PL,FLT,3/8-16X2-1/4"	2	JD7035
74	NUT,LOCK,FLANGE,HEX,SERR,ST,PL,1/4-20	8	JD7774-D
75	CLAMP,HOSE,GEAR,WORM,SS,9/16TO1-1/16DIA	4	JD1229-A
76	SCREW,SLF DRL,PHILLIP,ST,PLTD,#8X1/2	4	JD6050
77	SCREW,SLF DRL,HEX WASHER,PLTD,#10x5/8	7	JD7074-A
78	SCREW,CARRIAGE,GR5,ST,PL,3/8X6	2	JD7798
79	SCREW,CAP,HEX HD,ST,PL,3/8-16X1-1/4"	1	JD 514
80	WASHER,LOCK,SPLIT,STEEL,PLATED,3/8"	1	JD 613
81	RECEPTICAL,CLIP-ON,STEEL,DACROTIZED	10	JP7733-01
82	PLATE,NAME,ALUM,PRINT,BLACK,4X4	1	JD3456
83	TAG,WARNING,WATER TRAP,GAS FIRED UNIT	1	JD7207
84	TAG,WARNING,GAS PRESSURE	1	JD3097
85	WASHER,FLAT,SS,3/4 O.D. X 5/32 I.D. X 20GA	8	JP7720-03
86	SCREEN,COVER,MACHINE,STEEL,PAINTED,	1	JP7720-01
87	RIVET,AL.160-.164 HOLE,.063-.125 GRP,5/32	8	JP7720-02



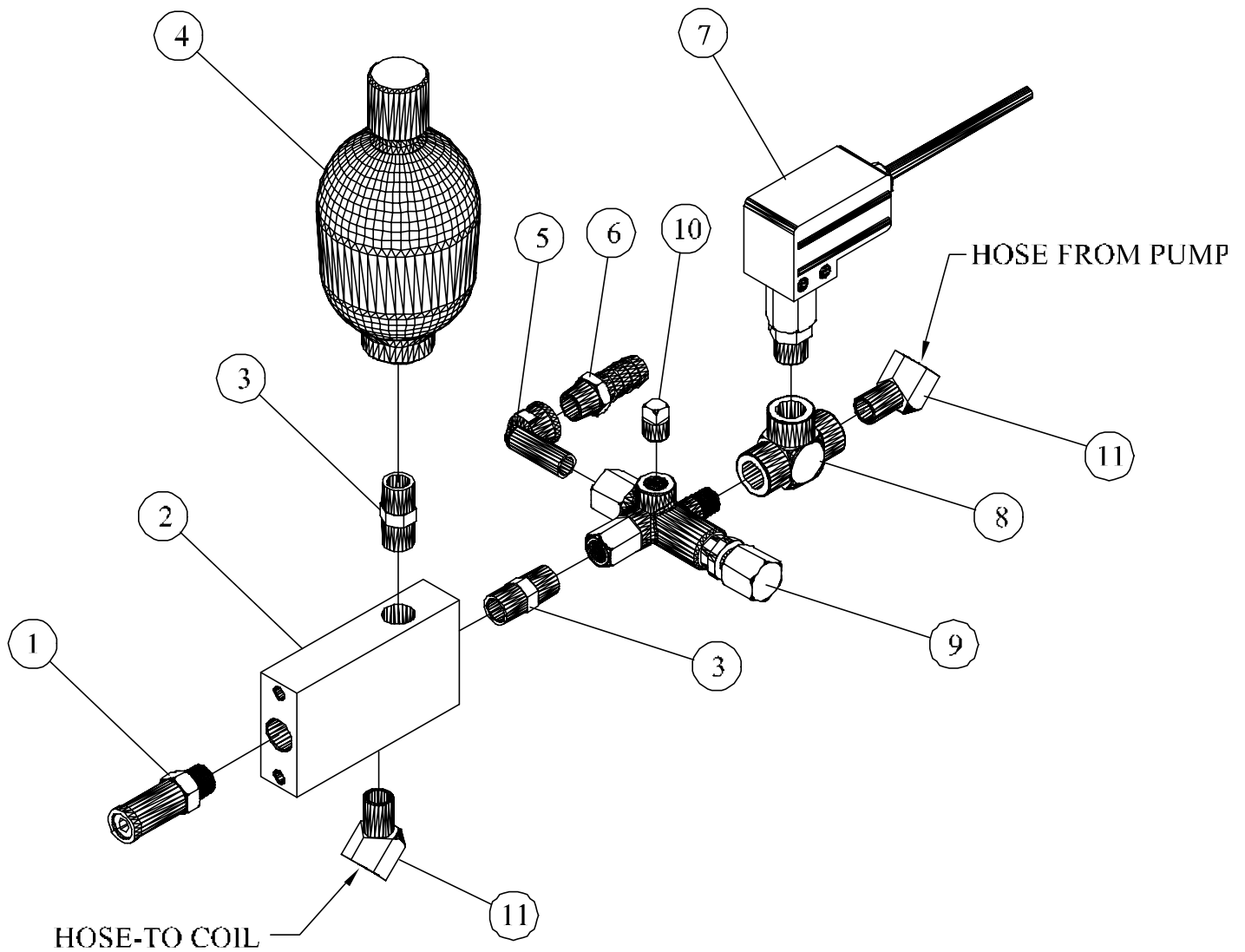
ITEM NO.	QTY.	DESCRIPTION	PART NO.
1	1	PUMP, PLUNGER, TRIPLEX, 3000PSI, 5.6GPM, GEN	JD7063
2	1	OIL, DIP, STICK, (RECEIVED W/PUMP)	
3	1	PULLEY, CI, DG, TH, 2BK62H, 5.2PDA, 5.6 PDB	JD3904-71
4	1	BUSHING, PULLEY, TAPERED, 24MM BORE	JD3915
5	2	H.H.B. 1/4-20 UNC-3/4 CLASS 5 RECEIVED W/ BUSHING	
6	1	PLATE, MOUNTING, PUMP, STEEL, PAINTED, JB	JD8016
7	1	BARB, HOSE, MALE, BRASS, 5/8 HS X 1/2 NPT	JD7877
8	1	PLUG, SOCKET, HEX, BRASS, 3/8 NPT	JD7151
9	4	METRIC, M-10 X 18, RECEIVED W/ PUMP	
10	4	WASHER, LOCK, 3/8	JD 613
11	1	BARB, HOSE, MALE, BRASS, 1/4 HS X 1/2 NPTM	JD7826

FIGURE 1-1 (Pump, Mounting, Fitting, JD8315-B , Hpw 3050, Assy)



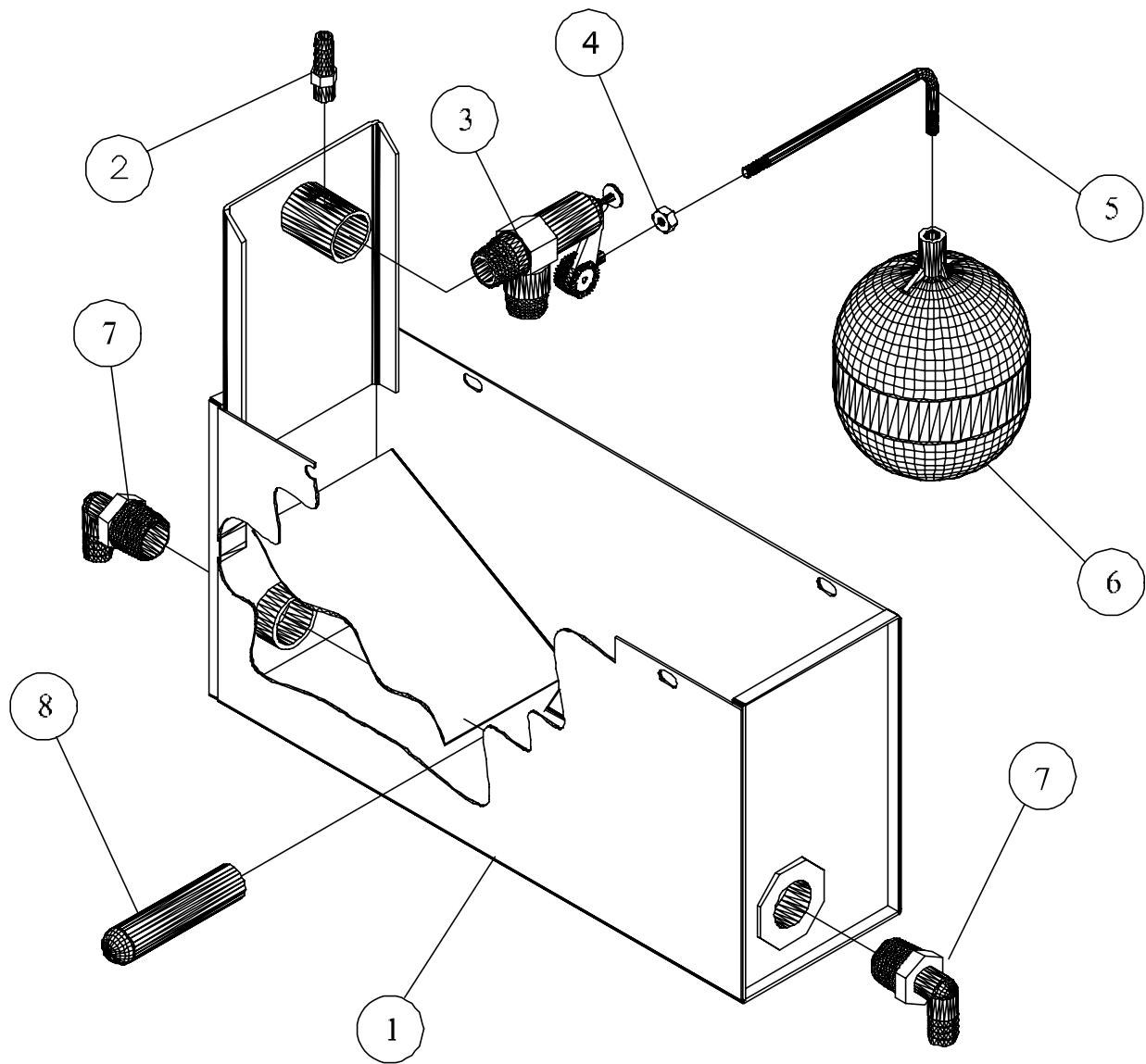
ITEM NO.	QTY.	DESCRIPTION	PART NO.
1-A	1	BURNER, NAT, #640 JETS, 0#50, X-44	JD3257
1-B	1	BURNER, LP, #640 JETS, 0#56, X-44	JD3379-A
2-A	44	JET, BURNER, GAS, NATURAL, BRZ, #50, .064	JD3129
2-B	44	JET, BURNER, GAS, LP, BRASS, #56, .047	JD2360
3	1	NIPPLE, CLOSE, STEEL, SCH40, 3/4" NPT	JD1181
4	1	UNION, FEMALE, MI, 150# BRASS SEAT, 3/4 NPT	JP 742
5-A	1	PILOT, BURNER, NAT, Q314B1019	JD2359-01
5-B	1	PILOT, BURNER, LP, Q314B1019-LP	JD2359-02
6	1	BRACKET, BURNER, PILOT, GES, LES	JD2359-05
7	1	SENSOR, IGNITOR, W/MT, BRKT & HARDWARE, 60' LD	JP7694-D

FIGURE 1-2 (Burner, Gas, Natural, JP5927-A & JP5944-A, Hpw3050, Assy)



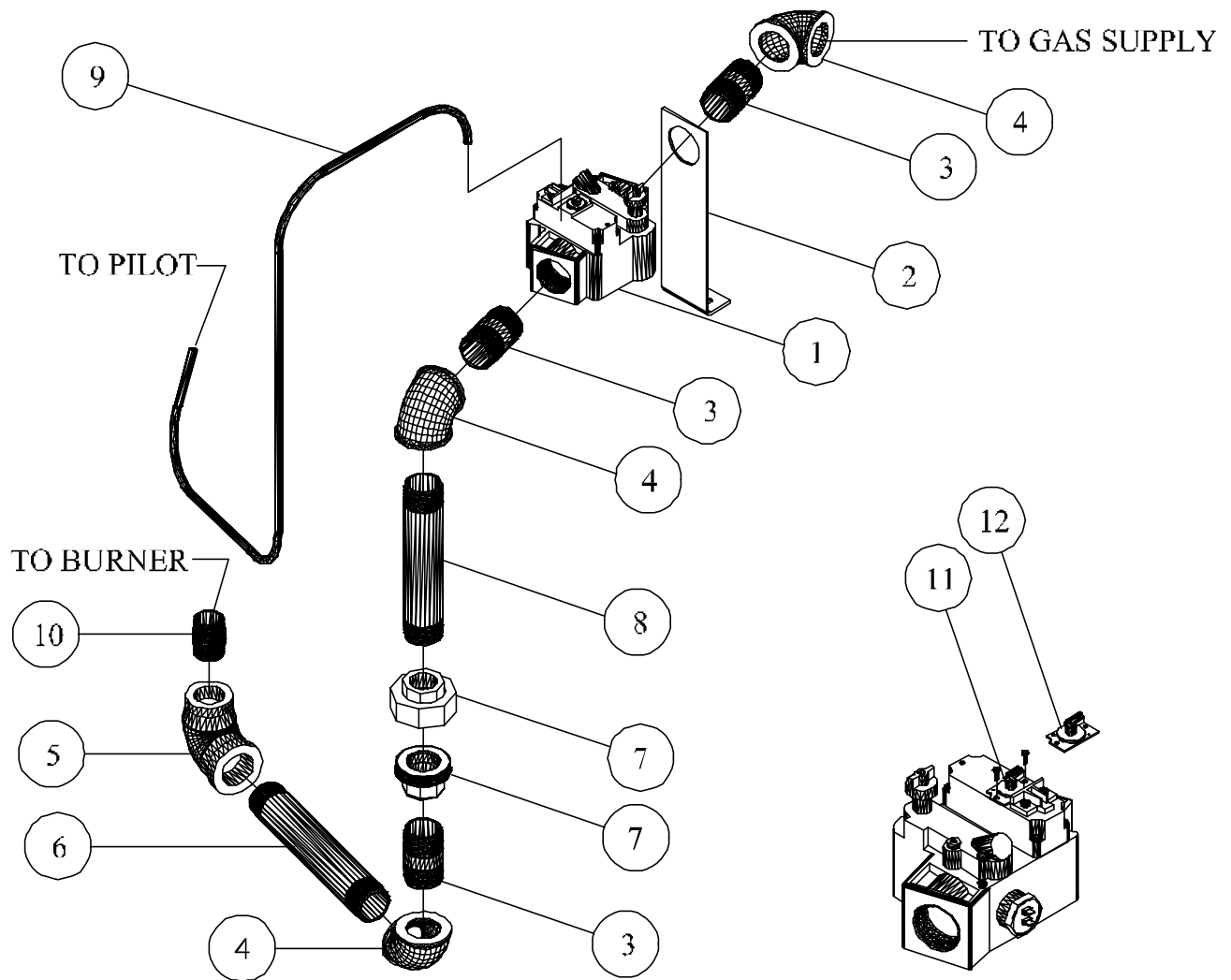
ITEM NO.	QTY.	DESCRIPTION	PART NO.
1	1	VALVE,RELIEF,2400-3000PSI,160F,3/8NPTM	JD7048-A
2	1	MANIFOLD, FITTINGS, STEEL, PLATED, ALL UNITS	JP7716
3	2	NIPPLE, HEX, STEEL, PLATED, 3/8NPT X 3/8NPT	JD3716-01
4	1	ACCUMULATOR, BLADDER, 3000#WP,1500#CHARGER	JD7646-J
5	1	ELBOW, REDUCER, BRASS, STR, 90°, 3/8FX1/4M	JD7825
6	1	BARB, HOSE, MALE, BRASS, 5/8HS X 3/8NPT	JD 975-01
7	1	SWITCH, PSI, SP, ST, NO,15A, 230V, 3/8NPT	JD3977
8	1	TEE,FEMALE,STEEL,PLATED,3/8NPT	JD3971
9	1	VALVE,UNLOAD,PSI ACT,3200PSI,8.0 GPM	JD3324-O
10	1	PLUG, HEAD, SQUARE, BRASS, 1/4NPT	JD679-02
11	2	ELBOW, STREET, 45°, STEEL, PLATED, 3/8NPT	JD1678

FIGURE 1-3 (Manifold, Valve, Fitting, JD8206, Hpw3050 GES, Assy)



ITEM NO.	QTY.	DESCRIPTION	PART NO.
1	1	TANK, FLOAT, BOLT-ON, JB	JD8015
2	1	BARB, HOSE, MALE, BRASS, 1/4 HS X 1/8 NPT	JD6132
3	1	VALVE, FLOAT, BRASS, 60PSI, 1/2" NPTM	JD2988-B
4	1	NUT, HEX, STEEL, PLATED, 1/4-20	JD 791
5	1	ROD, FLOAT, BENT, BRASS, 1/4 X 5-5/8 LG X 1/4-20	JD1416-02
6	1	BALL, FLOAT, PLASTIC, BLACK	JD1416-01
7	2	ELBOW, BARB, HOSE, MALE, PLASTIC, 5/8 HS X 3/4 NP	JD3663
8	1	STRAINER, WATER, SS, 30MESH, 47/64 O.D. X 3-1/8 LG	JD3843-B

FIGURE 1-4 (Tank, Float, Fitting, JD8245-E, Hpw3050, Assy)



REGULATOR, CONVERSION, NATURAL GAS TO LIQUID PETROLEUM.

ITEM NO.	QTY.	DESCRIPTION	PART NO.
1	1	VALVE, COMBINATION, NAT, 24V, 1", ELECT-IGN	JD3845-J
2	1	BRACKET, MANIFOLD, STEEL, PAINTED, GES	JP5928-03
3	3	NIPPLE, STEEL, SCH40, 1NPT, X 2" LONG	JD 884
4	3	ELBOW, FEMALE, MI, 150#, 1 NPT	JP2160-02
5	1	ELBOW, REDUCER, FEMALE, MI, 150# 1 X 3/4	JE 883
6	1	NIPPLE, STEEL, SCH40, 1 NPT" X 7"LONG	JD7875
7	1	UNION, FEMALE, MI, 150#, BRASS-IR SEAT, 1" NPT	JD7873
8	1	NIPPLE, STEEL, SCH40, 1" NPT X 6"LONG	JD1304-A
9	1	TUBING, ALUMINUM, 1/4 OD X .032 WALL	JD1820
10	1	NIPPLE, CLOSE, STEEL, SCH40, 3/4 NPT	JD1181
11	1	REGULATOR, CONVERSION, LP TO NAT. ROBERT SHW	JD2366-C
12	1	REGULATOR, CONVERSION, NAT. TO LP, ROBERT SHW	JD2366-04

FIGURE 1-5 (Manifold, Burner, Inlet, Fitting, JP5927-J, Hpw3050, Assy)

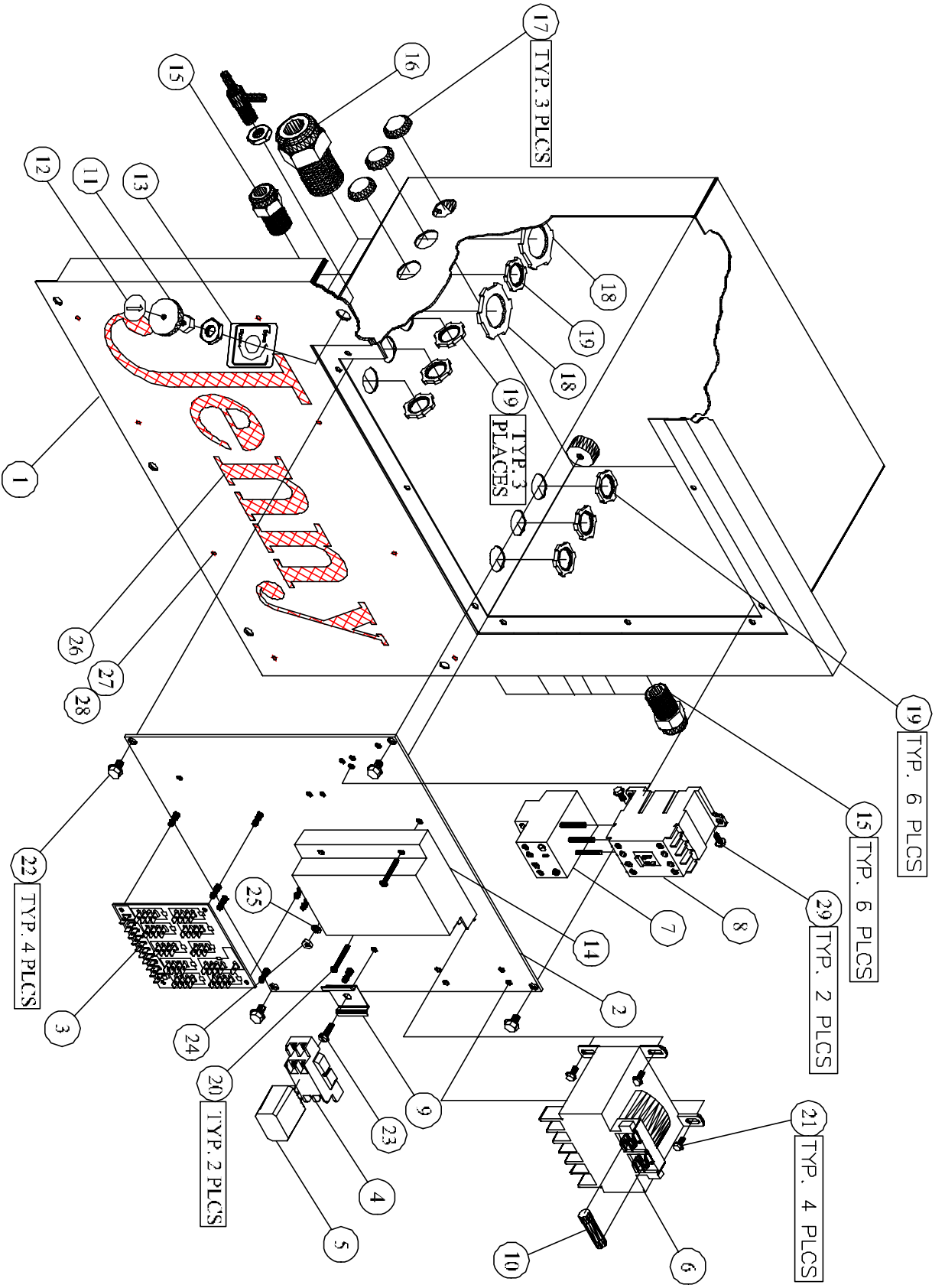
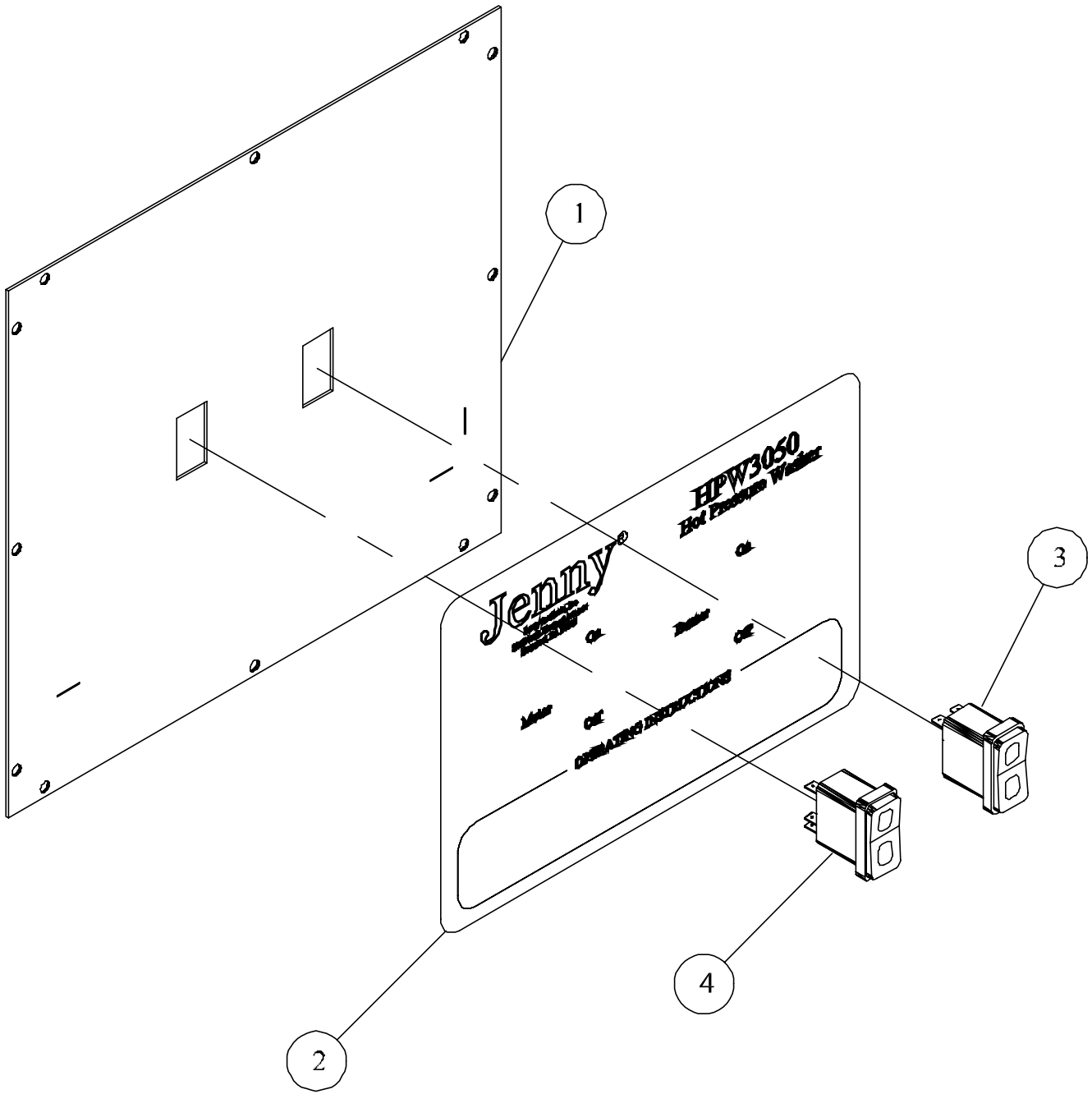


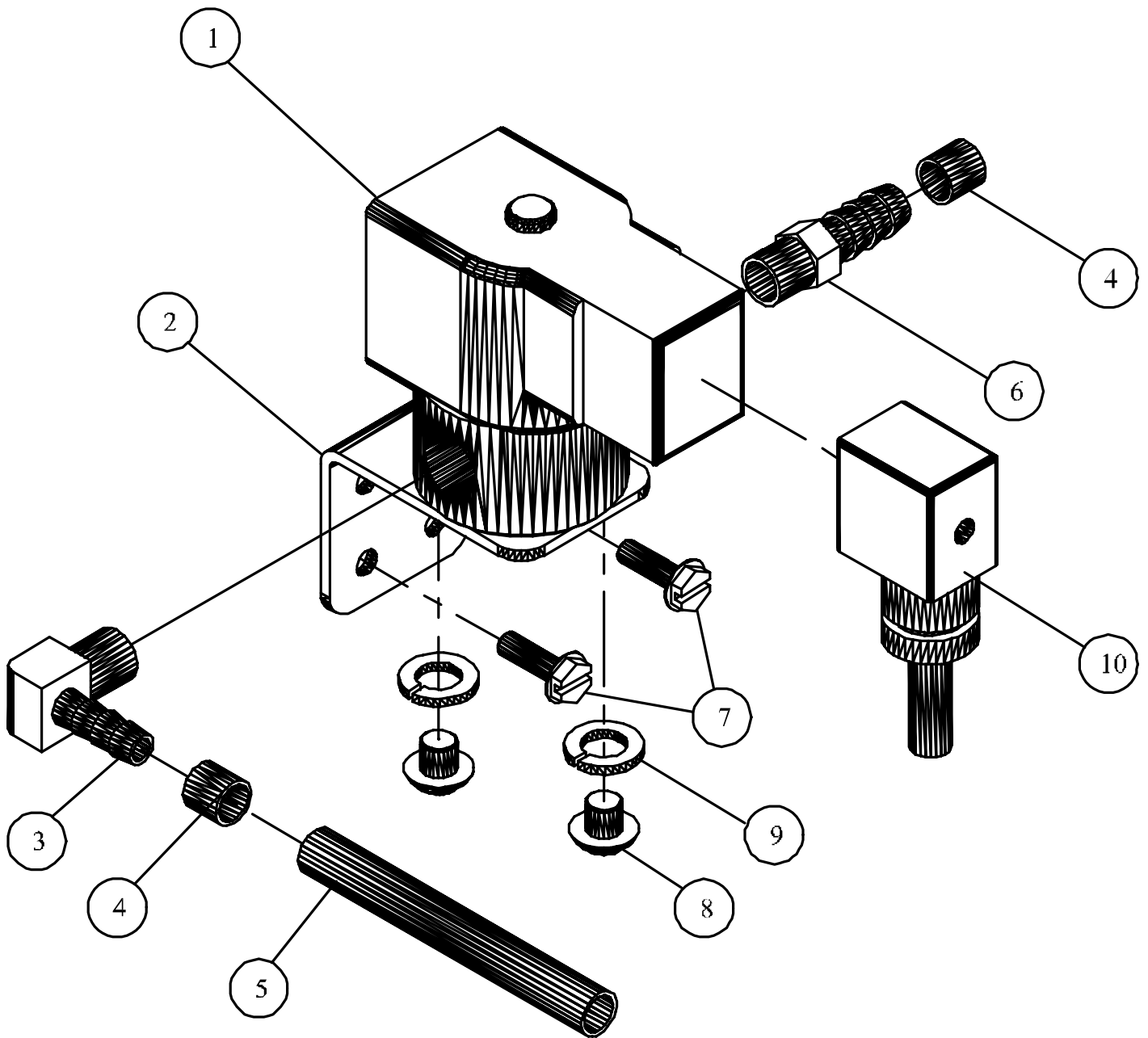
FIGURE 1-6 (Box, Junction, Panel, Front, 208-575/3PH & 208-230/60/1PH,30A Gas, Hwp3050, JE2005)

ITEM NO.	DESCRIPTION	QTY.	PART NO.
1	PANEL,CONTROL,BOX,JUNCTION,STL,PNTD,GES	1	JD8511
2	PLATE,MOUNTING,PANEL,CONT,BOX,JCT,ST,GES	1	JD8512
3	BOARD,CIRCUIT,PRINTED,ALL MACHINES	1	JB5000
4	BASE,RELAY,DP	1	JD7819-A
5	RELAY,DP,DT,24VAC	1	JD7819
6-A	TRANSFORMER,CONTROL,OPEN,100VA,120-460VP,24VS	1	JD2868
6-B	TRANSFORMER,CONTROL,OPEN,100VA,600VP,24VS	1	JD3987-13
7-A	RELAY,OVERLOAD,THERMAL,PLUG-IN,24-32 AMPS (BEFORE 5-1-01)	1	JD7651-15
7-B	RELAY,OVERLOAD,THERMAL,PLUG-IN,32-50 AMPS (BEFORE 5-1-01)	1	JD7651-16
7-C	RELAY,OVERLOAD,THERMAL,PLUG-IN,13-19 AMPS (BEFORE 5-1-01)	1	JD7651-13
7-D	RELAY,OVERLOAD,THERMAL,PLUG-IN, 7.5-11 (BEFORE 5-1-01)	1	JD7651-11
7-E	RELAY,OVERLOAD,THERMAL,PLUG-IN,30-45 (AFTER 5-1-01)	1	JD7651-38
7-F	RELAY,OVERLOAD,THERMAL,PLUG-IN,18-30A(AFTER 5-1-01)	1	JD7651-36
7-G	RELAY,OVERLOAD,THERMAL,PLUG-IN,10-16A(AFTER 5-1-01)	1	JD7651-34
8-A	CONTACTOR,DP,OP,3P,30A,24V,WAUX CONTACT (BEFORE 5-1-01)	1	JD7651-B
8-B	CONTACTOR,DP,OP,3P,60A,24V, (BEFORE 5-1-01)	1	JD780C
9	RAIL,DIN,STL,PLTD,TAIL,DOVE,1 3/8X5/16	0.16	JD7768-A
10	FUSE,ELEMENT,DUAL,DELAY,TIME,250V,6AMP	1	JD3107-11
11	VALVE,NEEDLE,SOLUTION,BRASS,1/4IDHS-BARB	1	JD6248-A
12	DECAL,INDICATOR,HANDLE,VALVE	1	JD7143
13	DECAL,SOLUTION,METERING,VALVE	1	JD7821
14	CONTROL,IGNITION,UNIT,LOCKOUT,SP745	1	JP7694-A
15	CONNECTOR,RELIEF,STRAIN,1/4-3/8,1/2 NPTM	6	JD1687-06
16	CONNECTOR,RELIEF,STRAIN, 700-.950,1NPTM	2	JD1687-19
17	PLUG,HOLE,PLASTIC,BLACK, 7/8"	3	JD3856
18	NUT,LOCK,CONDUIT,STEEL,PLATED,3/4"	2	JD7728
19	NUT,LOCK,CONDUIT,STEEL,PLATED,1/2"	6	JP 809
20	SCREW,MACHINE,PHILLIP	2	JD838
21	SCREW,FLANGE,HEX,SERR,ST,PL,8-32x3/8	4	JD7901-B
22	SCREW,FLANGE,HEX,SERR,ST,PL,1/4-20X3/8	4	JD7904
23	SCREW,SLF DRL,HEX WASHER,PLTD,#10x5/8	1	JD7074-A
24	NUT,HEX,STEEL,PLATED,10-32	1	JD 781
25	WASHER,LOCK,SPLIT,STEEL,PLATED,#10	1	JD 624
26	SCREEN,COVER,MACHINE,ST,PAINTED	1	JP7720-01
27	RIVET,AL,.160-.164 HOLE,.063-.125 GRP,5/32	8	JP7720-02
28	WASHER,FLAT,SS,3/4 O.D.X 5/32 I.D. X 20 GAUGE	8	JP7720-03
29	SCREW,FLANGE,HEX,SERR,STL,PLATED, 8-32 X 5/8 L	2	JD7901-D
30	CONTACTOR,DP,OP,3P,60A,24V,(CA7) (AFTER 5-1-01)	1	JD7651-Q
31	STARTER,DP,OP,3P,50A,24V,CA7-SERIES (AFTER 5-1-01)	1	JD7651-V



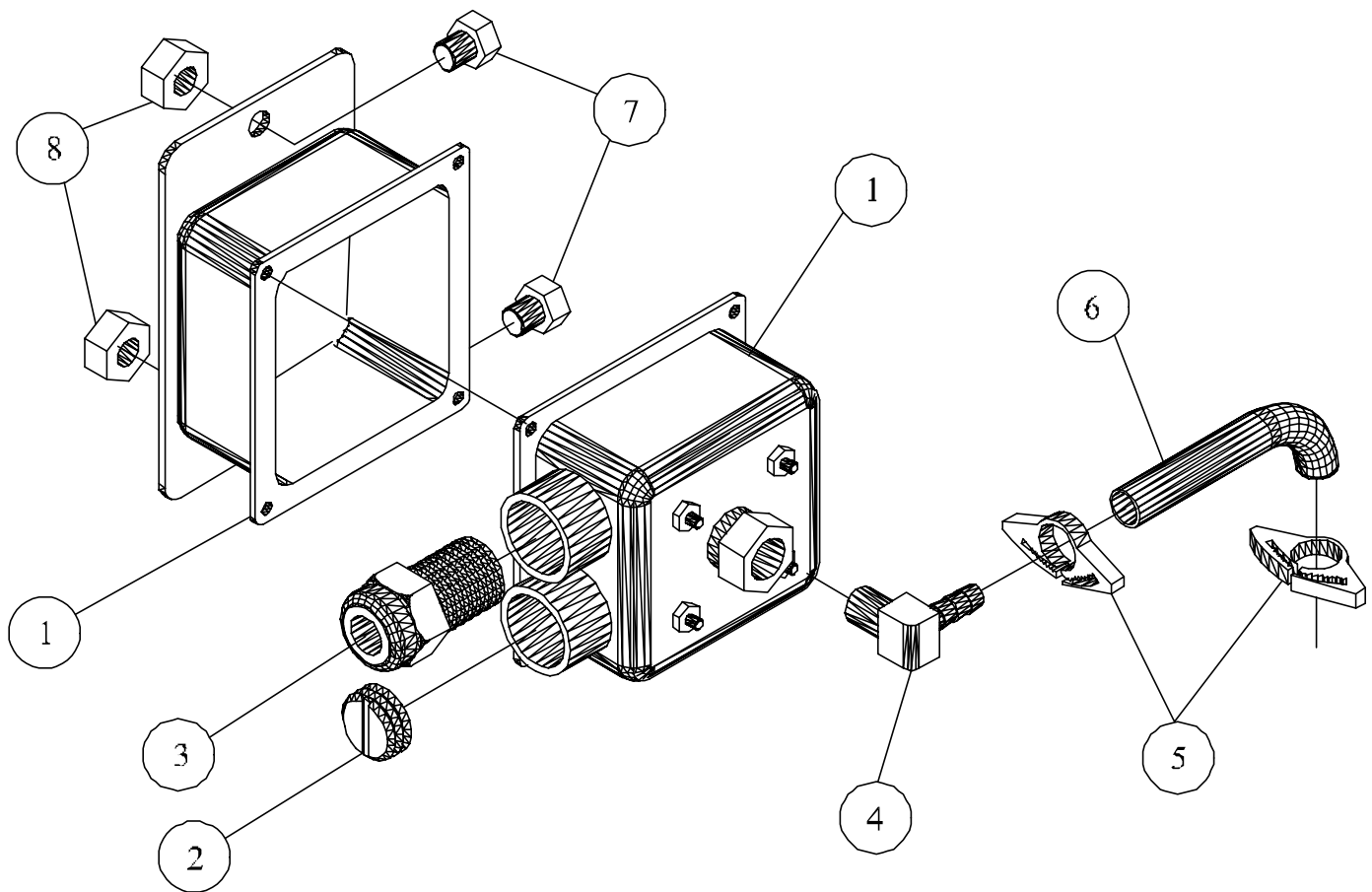
ITEM NO.	QTY.	DESCRIPTION	PART NO.
1	1	PLATE, COVER, PANEL, CONT, BOX, JUNC., HPW, GES	JD8513
2	1	DECAL, PANEL, INSTRUCTION, HPW3050, OEP & GES	JD8409
3	1	SWITCH, ROCKER, SP, ST, 10A, 24V, LED, LIGHT	JE1004
4	1	SWITCH, ROCKER, DP, DT, OFF-ON-MOM-10A, 24V	JE1006

FIGURE 1-7 (Panel, Instruction, Fitting, JD8513, Hpw3050, Assy)



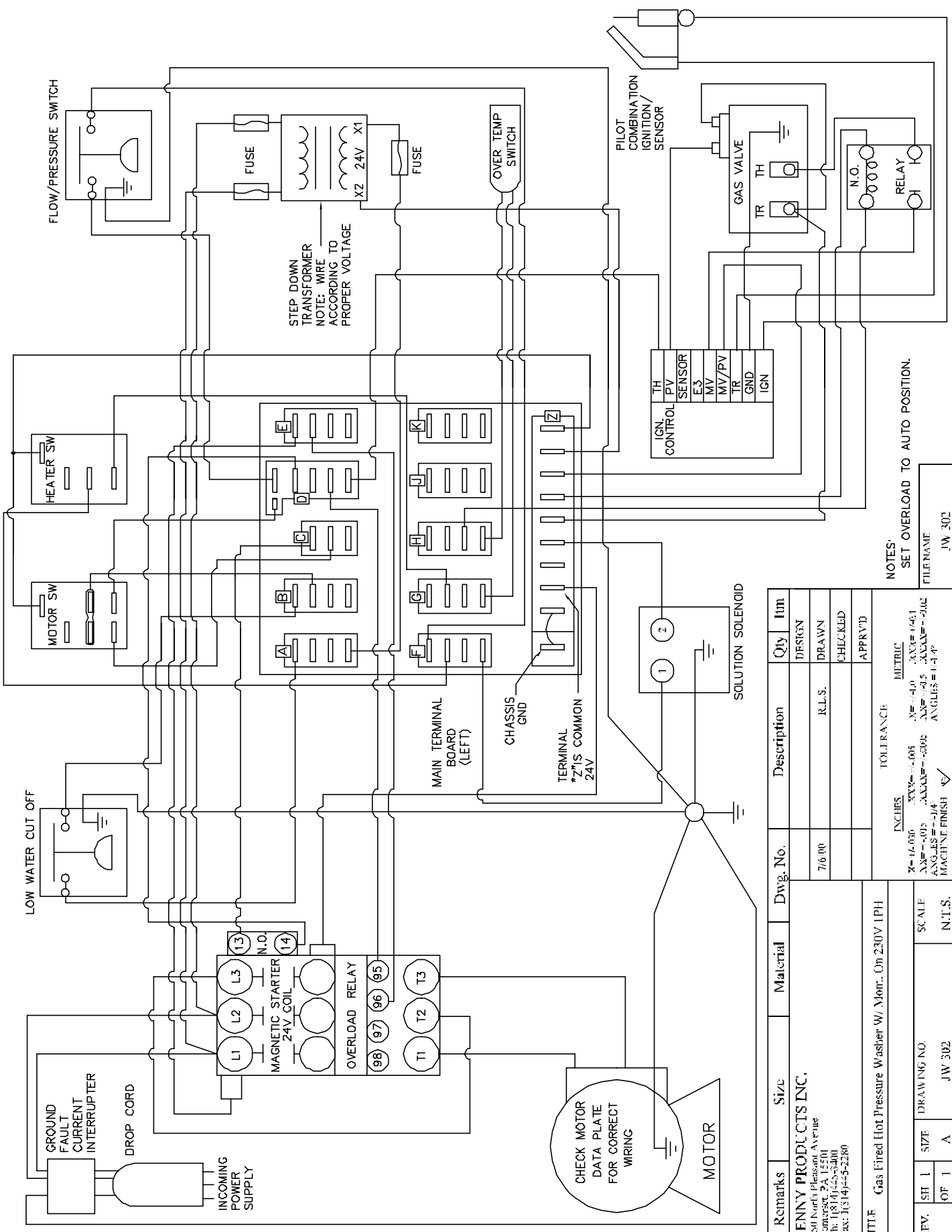
ITEM NO.	QTY.	DESCRIPTION	PART NO.
1	1	VALVE, SOLENOID, SOLUTION, 24V, 1/4NPT	JD2162-F
2	1	BRACKET, MOUNTING, SOLUTION, SOLENOID	JD7760
3	1	BARB, HOSE, ELBOW, MALE, BRASS, 1/4HS X 1/4 NPT	JD7078
4	2	CLAMP, SLEEVE, PLASTIC, 3/8 I.D.	JD2759
5	1	TUBING, PVC, CLEAR, 3/8 O.D. X 1/4 I.D.	JD3087
6	1	BARB HOSE 1/4 HS X 1/4 NPT	JD2765
7	2	SCREW, SLF, DRL, HEX WASHER, PLTD, #10 X 5/8	JD7074-A
8	2	SCREW, MACHINE, PHILLIPS, ST, PL, 10-32 X 3/8	JD3234
9	2	WASHER, LOCK, SPLIT, STEEL, PLATED, #10	JD624
10	1	CONNECTOR, SOLENOID, RELIEF, STRAIN, DIN	JD7703

FIGURE 20-1 (VALVE, SOLUTION, SOLENOID, JD2162-F, ASSY)



ITEM NO.	QTY.	DESCRIPTION	PART NO.
1	1	SWITCH, PRESSURE, W/BRACKET, WELDED ASSY	JP7731
2	1	PLUG, HOLE, BOX, JUNCTION, 1/2 NPS	JD7719
3	1	CONNECTOR, RELIEF, STRAIN, 1/4-3/8, 1/2NPM	JD1687-06
4	1	BARB, HOSE, ELBOW, MALE, BRASS, 1/4HS X 1/4NPT	JD7078
5	2	CLAMP, HOSE, NYLON, BLACK, .406/.468 DIA	JD-7859-A
6	1	TUBING, PVC, REINFORCED, 1/4ID	JD7850
7	2	SCREW, FLANGE, HEX, SERR,ST, PL, 1/4-20 X 1/2	JD7904-A
8	2	NUT, LOCK, FLANGE, HEX, SERR, ST, PL, 1/4-20	JD7774-D

FIGURE 20-2 (SWITCH, PRESSURE, W/BRACKET, WELDED, JD7731, ASS'Y)

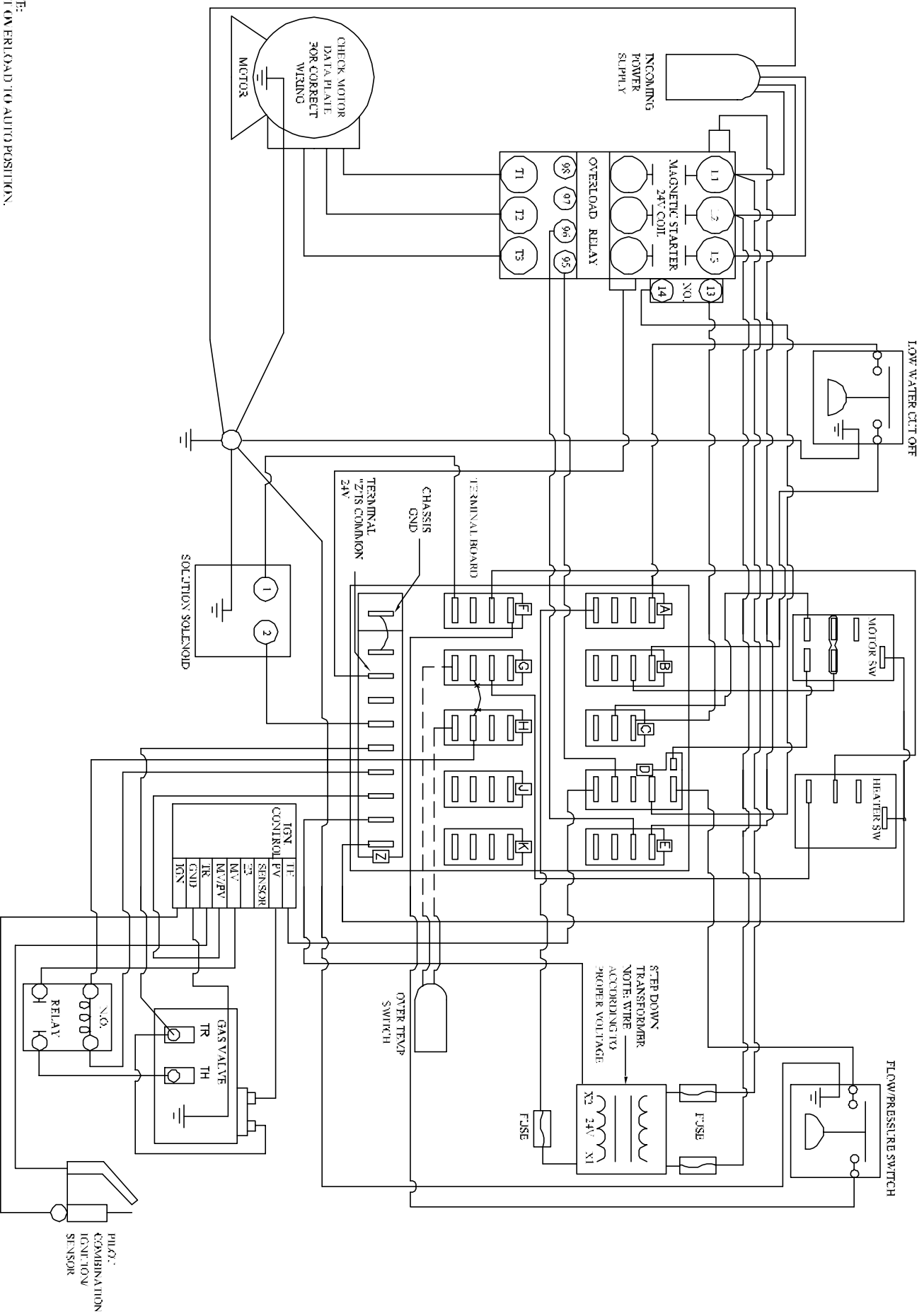


STEP DOWN TRANSFORMER
NOTE: WIRE ACCORDING TO PROPER VOLTAGE

TH	IGN. CONTROL
PV	
SENSOR	
E3	
MV	
MV/PV	
TR	
GND	
IGN	

NOTES:
SET OVERLOAD TO AUTO POSITION.
FILE NAME JW_302

Remarks	Size	Material	Dwg. No.	Description	Qty	Lim
JENNY PRODUCTS INC. 850 North Park Avenue Springfield, MA 01101 Phone: (413) 744-5400 Fax: (413) 744-5280						
TITLE Gas Fired Hot Pressure Washer W/ Motor On 230V 1PH						
TOLERANCE INCHES .XX = +.005 .XXV = +.005 .XXV = +.005 .XXV = +.005 ANGLES = ±.04 .AAA = ±.002 .AAA = ±.002 .AAA = ±.002 .AAA = ±.002 MACHINE FINISH ✓						
SCALE DRAWING NO. N.T.S.						
REV. SH 1	SIZE	DRAWING NO.		SCALE		
OF 1	A	JW 302		N.T.S.		



NOTE:
 1) SET OVERLOAD TO AUTO POSITION.
 2) REMOVE OVERTEMP IF OVER TEMP IS USED.

File Name: Jw 304 Gas, Fired, Hot Pressure Washer/Steam Cleaner, W/Mom. On, 3 Ph
 (Electrical Schematic Diagram)