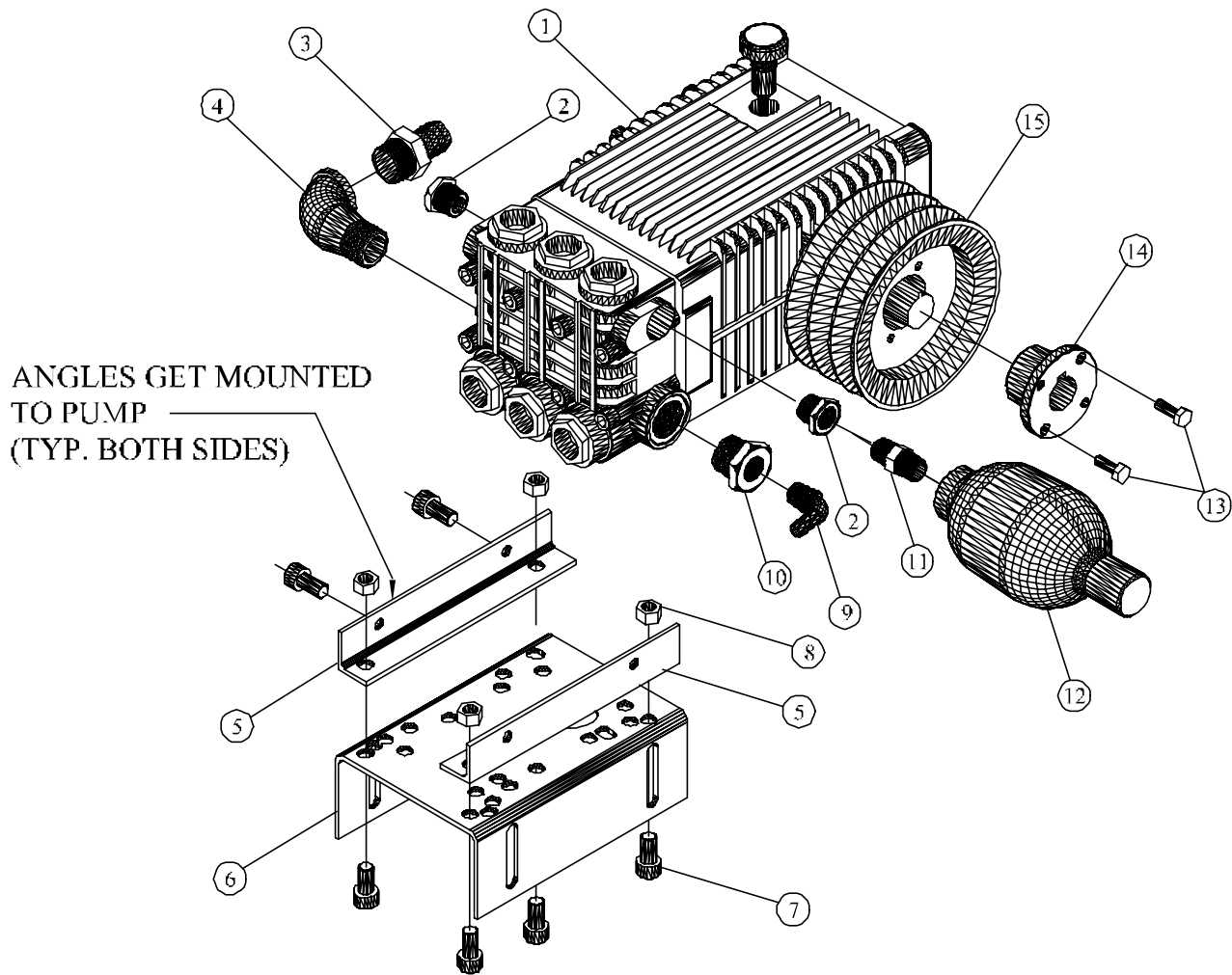




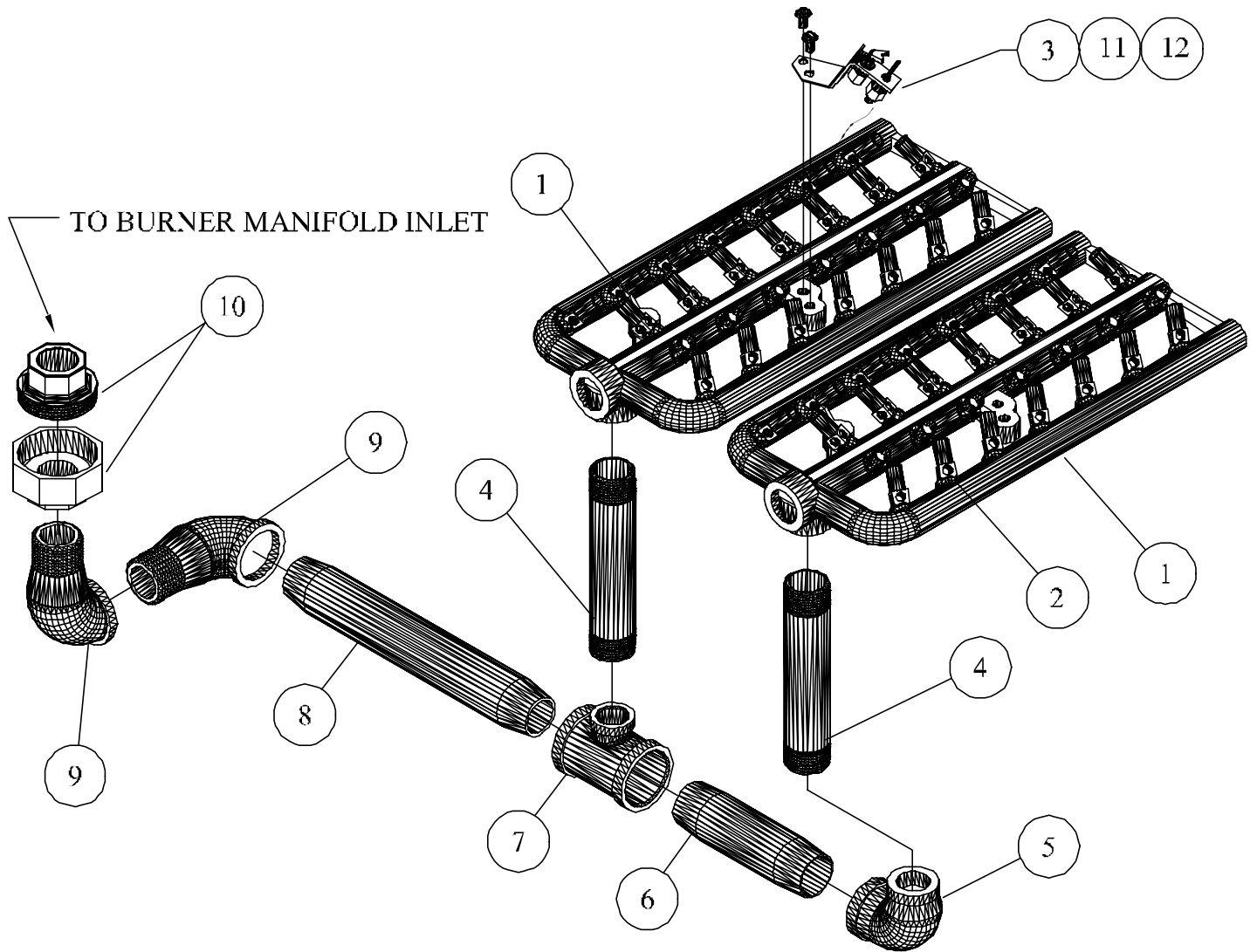
<b>HPW1880, GES, LWC, ELECT-IGN</b>			
<b>230/60/3, N/C, LWC</b>			
<b>PARTS LIST</b>			
Note: Figure 20- (Common Parts)			
Electrical Dia. File: Jw 306			
<b>ITEM NO.</b>	<b>DESCRIPTION</b>	<b>QTY.</b>	<b>PART NO.</b>
1	CHASSIS,MODULE,MOTOR-PUMP,GES,LES	1	JD8500
2	CHASSIS,MODULE,COIL,STL,PNTD,SIZE-C	1	JD8506
3	CASING,COIL,ASSY,STEEL,2100,GES,SIZE-C	1	JP5507-A
4	COVER,ACCESS,CASING,COIL,GES,1600-4800	1	JP5314-01
5	LEGS,STATIONARY,STEEL,PAINTED,GES	4	JD8507
6	LEG,ADJUSTABLE,FRONT,STEEL,PAINTED,GES	1	JD8508
7	LEG,ADJUSTABLE,REAR,STEEL,PAINTED,GES	1	JD8509
8	PANEL,SUPPORT,COVER,REAR,STL,PAINTED,GES	1	JD8510
9	PANEL,SIDE,MODULE,CHASSIS,MTR,PUMP,ST,GES	1	JD8515
10	BRACKET,SUPPORT,BURNER,ST,SIZE-C	2	JD8526
11	SHIELD,HEAT,BURNER,ST,PAINTED,SIZE-C	1	JD8520
12	COVER,SS,ASSY,NEW,GES	1	JD8523
13	INSULATION,CERAMIC,1-1/2 X 42 X 69 ,#6	1	JD3085
14 ASSY SEE FIG 1-7	TANK,FLOAT,SS,LARGE,BOLT-ON,GES	1	JD8524
15	ADAPTER,INLET,WATER,SS,3/4"GES	1	JD8517-A
16	SCREW,SLF,DRL,HEX,WASHER,PLTD,10-32 X 1/2	4	JD6219
17-A	MOTOR,10HP,230-480/60/3,1725RPM,TEFC,F2,CF	1	JB3019
17-B	MOTOR,10HP,575/60/3,1725RPM,TEFC,FC	1	JB3020
18-A	PULLEY,CI,DG,TH,3BK47H,4.1PDA(BEFORE 11/20/01)	1	JD3904-55
18-B	PULLEY,CI,TG,TH,3BK55H,4.5PDA,4.9PDB(AFTER 11/20/01)	1	JD3904-76
19	BUSHING,PULLEY,TAPERED,1-1/8",MOTOR	1	JD3915-04
20	CONNECTOR,RELIEF,STRAINER,.700-.950,1NPTM	1	JD1687-19
21	WIRE,SO,CPE,BLACK, 8/4	1.5	JE 479
22 ASSY SEE FIG 1-3	MANIFOLD,FITTING, VALVE,HPW1880,ASSY, GES	1	JD8214
23-A	BELT,VEE,COG,BX41 (BEFORE 11/20/01)	3	JD3959-06
23-B	BELT,VEE,COG,BX43 (AFTER 11/20/01)	3	JD3959-07
24 ASSY SEE FIG. 20-1	VALVE,SOLUTION,SOLENOID,24V,1/4NPT	1	JD2162-F
25	HOSE,HYD,3K PSI,31"L,3/8NPTM,3/8NPTM	1	JD7893
26 ASSY SEE FIG 1-1	PUMP,MOUNTING & FITTING,ASSY,HPW1880,GES	1	JD8314
27-A ASSY SEE FIG 1-4A	CONTROL,INLET,NAT,BURNER,ASSY,HPW1880,GES	1	JD7881
27-B ASSY SEE FIG 1-4B	CONTROL,INLET,LP, BURNER,ASSY,HPW1880,GES	1	JD7886
28-A ASSY SEE FIG 1-2	MANIFOLD,NAT,BURNER,ASSY,HPW1880,GES	1	JD7883
28-B ASSY SEE FIG 1-2	MANIFOLD,LP,BURNER,ASSY,HPW1880,GES	1	JD7884
29 ASSY SEE FIG 1-6	BOX,JCT,PANEL,FRONT,230/460/3, 12-37A,GES	1	JE2013
30 ASSY SEE FIG 1-8	PLATE,COVER,PANEL,CONT,BOX,JCT,HPW,GES	1	JD8513
31	HOSE,HYD,3K PSI,68"L,3/8NPTM,3/8NPTM	1	JD7995
32	COIL,GAS,FIRED,1/2" PIPE,SCH80, HPW1880	1	JP5508-A
33	TEE,FEMALE,STEEL,PLATED,1/2NPT	1	JD3734-01
34	BUSHING,REDUCER,HEX,STEEL,PLATED,1/2 X 3/8	2	JD2599
35	PLUG,QUICK,COUPLING,BRASS,3/8" NPTM	1	JD3103-11
36	ELBOW,REDUCER,ST,PLTD,90DEG,FEM,1/2X3/8	1	JD7847
37	THERMOSTAT,IMMERSION,SP,ST,NC,240,DEG F	1	JD7137
38	RING,CASING,COIL,SS,22-1/4 O.D. X 9-15/16 I.D.	1	JD3017
39 ASSY SEE FIG. 20-2	SWITCH,PRESSURE,W/BRACKET,WELDED,ASSY	1	JP7731
40	CLAMP,WIRE,IGNITION,STAND-OFF	1	JD7001
41	GROMMET,RUBBER,BLACK,5/8" I.D.	5	JD3385
42	GROMMET,RUBBER,BLACK,7/16" I.D.	5	JD3385-01
43	CLAMP,CABLE,NYLON,3/8"	3	JD6055
44	GROMMET,RUBBER,BLACK,1-1/2" I.D.	3	JP 675
45	STRAINER,CHEMICAL,BRASS,1/4" HOSE BARB	1	JD7140-A
46	CLAMP,SLEEVE,PLASTIC,3/8" I.D.	6	JD2759

47	TUBING,PVC,CLEAR,3/8 O.D. X 1/4" I.D.	7.1	JD3087
48	SCREW,FLANGE,HEX,SERR,ST,PL,1/4-20 X 1/2	22	JD7904-A
49	BOLT,ELEVATOR,STEEL,PLDT,3/8 X 2-1/2"HD	2	JD7906-G
50	SCREW,FLANGE,HEX,SERR,ST,PL,5/16-18X1/2	2	JD7905
51	SCREW,FLANGE,HEX,SERR,ST,PL,3/8-16X3/4	39	JD7906-A
52	NUT,LOCK,FLANGE,HEX,SERR,ST,PL,3/8-16	16	JD7774-F
53	SCREW,CAP,HEX,HD,ST,PL,FLT,3/8-16 X 2-1/4"	2	JD7035
54	NUT,LOCK,FLANGE,HEX,SERR,ST,PL,1/4-20	2	JD7774-D
55	SCREW,SLF,DRL,PHILLIP,ST,PLTD,#8 X 1/2	4	JD6050
56	SCREW,SLF,DRL,HEX WASHER,PLTD,#10 X 5/8	8	JD7074-A
57	SCREW,CARRIAGE,GRS,STEEL,PL,3/8 X 6	2	JD7798
58	CLAMP,GEAR,WORM,SS,11/16 TO 1-1/4DIA	4	JD1229
59	RECEPTICAL,CLIP-ON,STEEL,DACROTIZED	10	JP7733-01
60	HOSE,RUBBER,BLA CK,3/4	3'	JE 558
61	LUG,TERMINAL,COPPER,3/16 BOLT,6-14 GAUGE	1	JD6152
62	PLATE, NAME, ALUM, PRINT, BLACK, 4X4	1	JD3456
63	TAG,WARNING,WATER,TRAP,GAS,FIRED,UNIT	1	JD7207
64	TAG,WARNING,GAS,PRESSURE	1	JD3097
65	HOSE,WASH,PRESSURE,3000PSI,250F,3/8X50FT	1	JD7790-A
66	GUN,TRIGGER,5000PSI 10GPM 300F	1	JD6068-A
67	LANCE,INSULATED,STEEL,ZINC-PLATED,1/4 X 36	1	JP7080-O
68	SOCKET,QUICK COUPLING,BRASS,3/8"NPTF	1	JD3102-05
69	SOCKET,QUICK COUPLING,BRASS,1/4" NPTF	1	JD3102-02
70	NOZZLE,SPRAY,PSI,SS,QCK CON,0 DEG,0#12.0	1	JD7755-11
71	NOZZLE,SPRAY,PSI,SS,QCK CON,15 DEG,0#12.0	1	JD7756-11
72	NOZZLE,SPRAY,PSI,SS,QCK,CON,25 DEG,0#12.0	1	JD7757-11
73	NOZZLE,SPRAY,PSI,SS,QCK,CON,40 DEG,0#12.0	1	JD7758-11
74	WASHER,LOCK,SPLIT,STEEL,PLATED,1/2	4	JD 615
75	WASHER,FLAT,SERIES,"N",STEEL,PLATED,1/2	4	JD7028
76	SCREW,CAP,HEX,HD,STEEL,PLATED,1/2-13 X 1"	4	JD1165
77	NUT,SPEED,TINNERMAN,1/4-20	2	JD7042
78	SCREW,THUMB,STEEL,PLATED,W/SHIELD	2	JD1433
79	J-BOLT,3/8-16X4	2	JP7182
80	SCREW,SLF TAP,PHILLIPS,STEEL,8-32 X 3/8	12	JD3043
81	RETAINER,SCREW,PHILLIPS HEAD,"N",COVER	10	JP7733
82	RETAINER,SCREW, PHILLIPS HEAD,"N"	10	JP7733-02
83	MOLDING,RUBBER,FOAM,ADHESIVE,1/2WX1/8T	4.166	JD3782-B
84	SCREEN,COVER,MACHINE,STEEL,PAINTED	1	JP7720-01
85	RIVET,AL,.160-.164 HOLE,.063-.125 GRP	8	JP7720-02
86	WASHER,FLAT,SS.,7/8O.D.X5/32 I.D. X 20GA	8	JP7720-03
87	DECAL,NUMBER,MODEL,HPW1880,BLUE,LARGE	1	JD8460
88	SCREW,MACHINE,PHILLIP,ST,PL,10-24X3/8	2	JD3846
89	WASHER,LOCK,SPLIT,STEEL,PLATED,#10	2	JD 624
NOT SHOWN	DECAL,DANGER,WARNING,CAUTION,LARGE	1	JD7239
NOT SHOWN	DECAL,VALVE,GAS,COMBINATION,TURN-PILOT	1	JD6155-A
NOT SHOWN	DECAL,NOTICE,GROUND,4MILTHK,5YRWHT	1	JD2344-01
NOT SHOWN	DECAL,MADE-IN-THE-USE,JENNY	1	JD6211
NOT SHOWN	DECAL,PACKED,GROOMED,TESTED	1	JD6013
NOT SHOWN	DIVERTER,DRAFT,VERTICAL,10"	1	JD3018



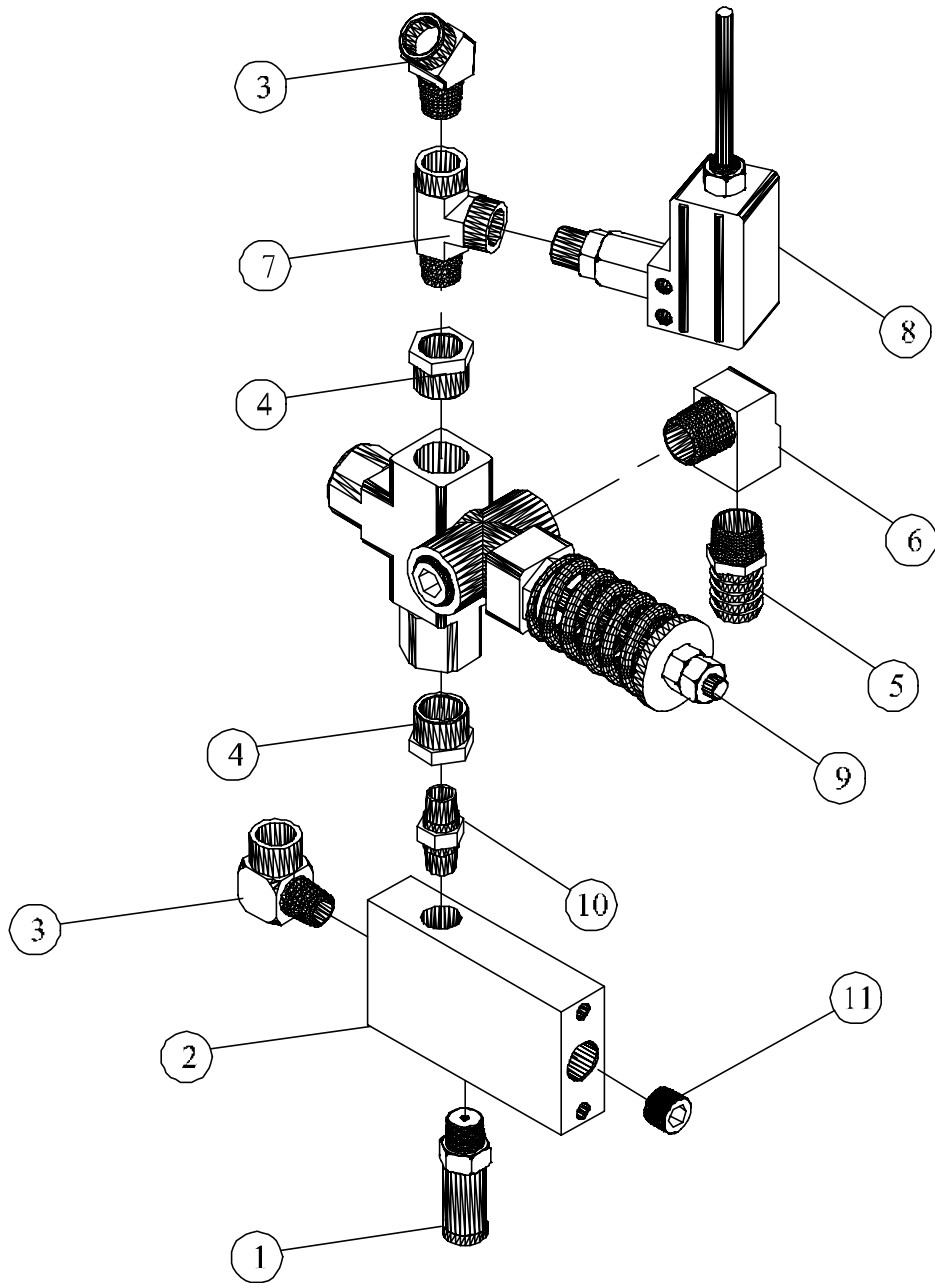
ITEM NO.	QTY.	DESCRIPTION	PART NO.
1	1	PUMP, PLUNGER, TRIPLEX, 2500PSI, 7.9GPM, HYPR	JD7486
2	2	BUSHING, REDUCER, HEX, STEEL, PLATED, 1/2X3/8	JD2599
3	1	BARB, HOSE, MALE, BRASS, 3/4HSX3/4NPT	JD3855
4	1	ELBOW, STREET, BRASS, 3/4"NPT	JD7988
5	2	ANGLE, PLATES, RECEIVED, W/PUMP	
6	1	PLATE, MOUNTING, PUMP, STEEL, PAINTED, JB	JD8016
7	4	SCREW, FLANGE, HEX, SERR, ST, PL, 3/8-16X3/4	JD7906-A
8	4	NUT, LOCK, FLANGE, HEX, SERR, ST, PL, 3/8-16	JD7774-F
9	1	BARB, HOSE, ELBOW, MALE, BRASS, 1/4HSX3/8NPT	JD7871
10	1	BUSHING, REDUCER, HEX, BRASS, 3/4X3/8	JD3114
11	1	NIPPLE, HEX, STEEL, PLATED, 3/8NPTX3/8NPT	JD3716-01
12	1	ACCUMULATOR, BLADDER, 3000#WP, 900# CHARGE	JD7646-H
13	2	H.H.B. 1/4-20 UNC - 3/4 CLS 5 RECEIVED W/BUSHING	
14	1	BUSHING, PULLEY, TAPERED, 1" BORE	JD3915-09
15-A	1	PULLEY, CI, TG, TH, 3BK47H, 4.1PDA (BEFORE 11/20/01)	JD3904-55
15-B	1	PULLEY, CI, TG, TH, 3BK55H, 4.5PDA, 4.9PDB (AFTER 11/20/01)	JD3904-76

FIGURE 1-1 (Pump, Mounting, Fitting, JD8314, Hpw1880, Assy)



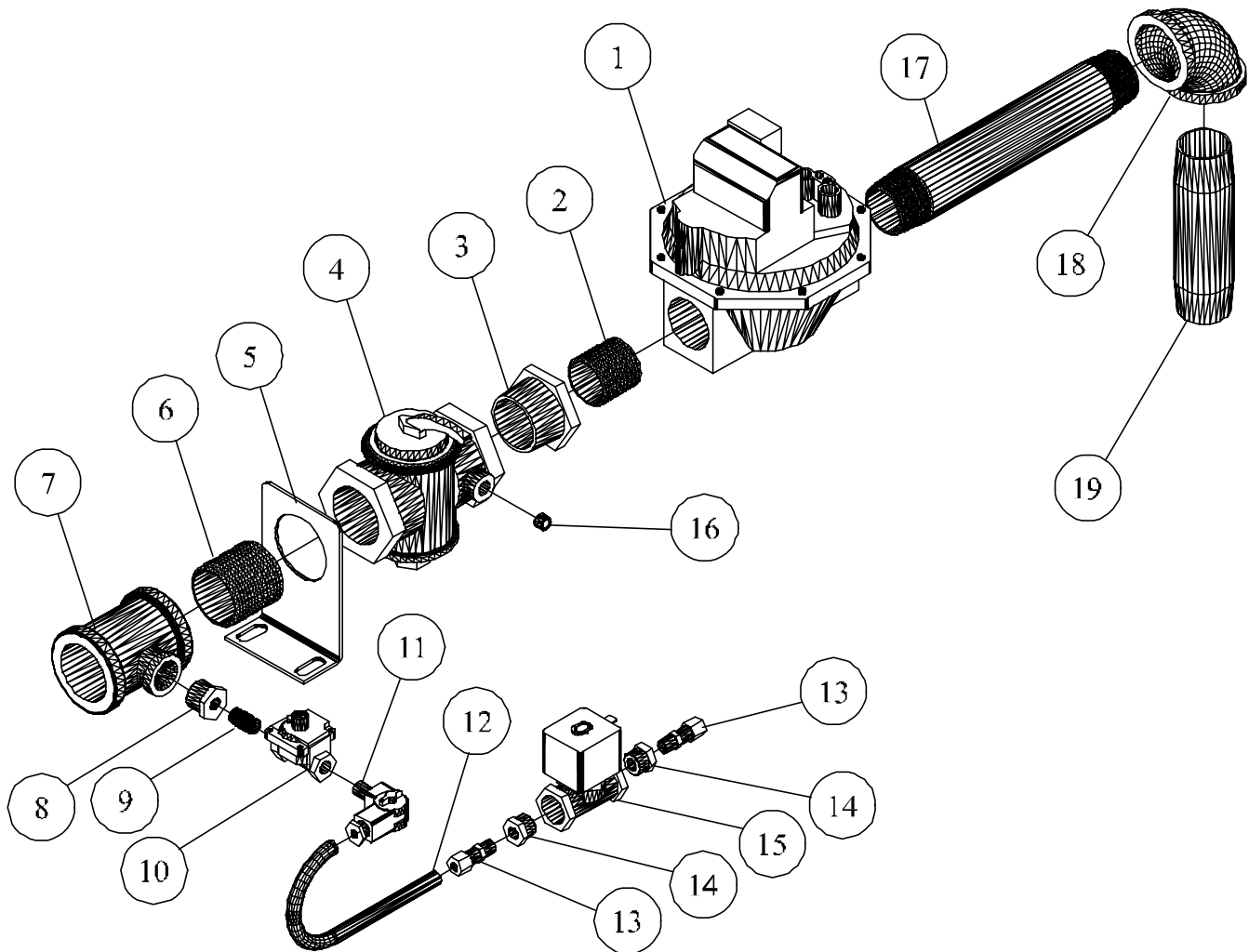
ITEM NO.	QTY.	DESCRIPTION	PART NO.
1A	2	BURNER, NAT, #640 JETS, O#50, U-29	JD3128
1B	2	BURNER,LP,#640 JETS,O#56,U-29	JD3229
2A	56	JET, BURNER, GAS, NATURAL	JD3129
2B	56	JET,BURNER,GAS,LP,BRASS,#56,.047	JD2360
3A	1	PILOT, BURNER, NAT, Q314B1019	JD2359-01
3B	1	PILOT, BURNER, LP, Q314B1019-LP	JD2359-02
4	2	NIPPLE, STEEL, SCH 40, 3/4NPT X 5 LONG	JD1219
5	1	ELBOW, FEMALE, MI, 1-1/4 NPT X 3/4 NPT	JD 993
6	1	NIPPLE, STEEL , SCH 40, 1-1/4 NPT X 5-1/2 LONG	JD3074
7	1	TEE, FEMALE, MI, 150#,1-1/4 X1-1/4 X3/4	JD1274
8	1	NIPPLE, STEEL, SCH 40, 1-1/4 NPT X10-1/2 LONG	JD7887
9	2	ELBOW, STREET, MI, 150#, 1-1/4 NPT	JD1013
10	1	UNION, FEMALE, MI, 150#, BRZ-IR SEAT, 1-1/4	JD1294
11	1	SENSOR, IGNITOR, W/MT-BRKT&HDWARE, 60"LEAD	JP7694-D
12	1	BRACKET, MOUNTING,PILOT,U-29, BURNER	JD8528

FIGURE 1-2 (Burner, Gas, Nat., Fitting, JD7883, Hpw1880, Assy)



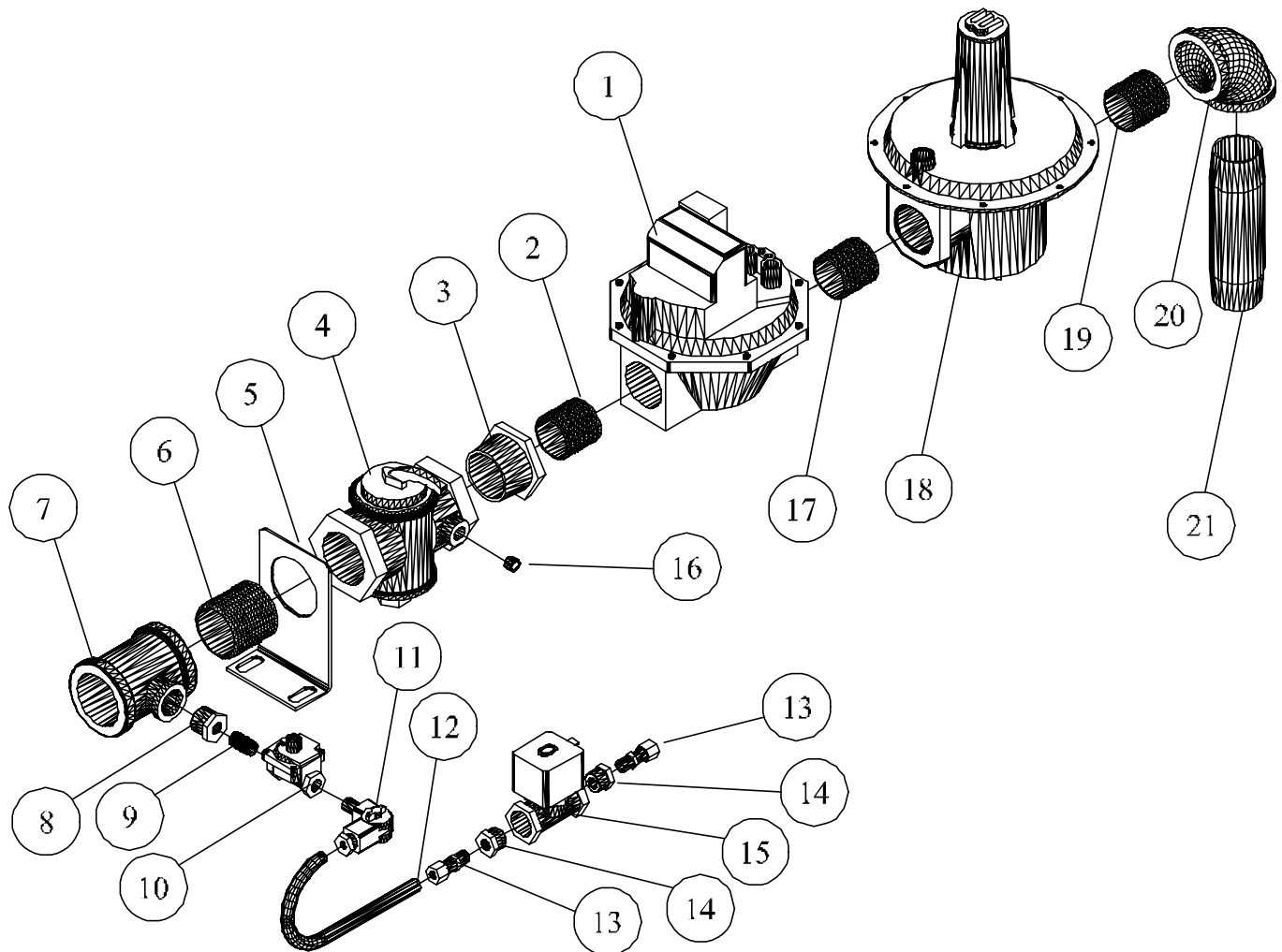
ITEM NO.	QTY.	DESCRIPTION	PART NO.
1	1	VALVE,RELIEF,2400-3000PSI,160F,3/8NPTM	JD7048-A
2	1	MANIFOLD,FITTING,STEEL,PLATED,ALL UNITS	JP7716
3	1	ELBOW,STREET,STEEL,PLATED,3/8NPT	JD3717-03
4	2	BUSHING,REDUCER,HEX, STEEL PLATED	JD2599
5	1	BARB,HOSE,MALE,BRASS,3/4NPT X 1/2NPT	JE 554-02
6	1	ELBOW,STREET,BRASS,FORGED,1/2NPT	JD 800-01
7	1	TEE,STREET,STEEL,PLATED,3/8NPT	JD 860-02
8	1	SWITCH,PSI,SP,ST,NO,15A,230V,3/8NPT	JD3977
9	1	VALVE,UNLOAD,PSI,ACT,2200PSI,21.0GPM	JD3324-R
10	1	NIPPLE,HEX,STEEL, PLATED,3/8NPT X 3/8NPT	JD3716-01
11	1	PLUG,SOCKET,HEX,BRASS,3/8 NPT	JD7151

FIGURE 1-3 (MANIFOLD, FITTING, VALVE, HPW1880ASSEMBLY JD8214)



ITEM NO.	QTY.	DESCRIPTION	PART NO.
1	1	VALVE, COMBINATION, NAT, 24VAC, 1-1/4"	JD3845-K
2	1	NIPPLE, CLOSE, STEEL, SCH40, 1-1/4" NPT	JE 886
3	1	BUSHING, REDUCER, HEX, MI, 1-1/2" X 1-1/4"	JD3075
4	1	COCK, VALVE, GAS, WITH HANDLE, 1-1/2" NPT	JP1496-A
5	1	BRACKET, MANIFOLD, GES, 4800	JD8525
6	1	NIPPLE, CLOSE, STEEL, SCH 40, 1-1/2"NPT	JD1243
7	1	TEE, FEMALE, MI, 150#, 1-1/2" X 1-1/2" X 1/2	JD3076
8	1	BUSHING, REDUCER, HEX, BRASS, 1/2 X 1/8	JD6243
9	1	NIPPLE, CLOSE, STEEL, SCH 80, 1/8" NPT	JD2167
10	1	REGULATOR, GAS, PILOT, NAT, 3-6", RV10, 1/8"	JD6008
11	1	VALVE, PILOT, SHUTOFF, BRASS, 1/8 NPT M X1/4 TUBE	JP2510-05
12	1	TUBING, ALUMINUM, 1/4 O.D. X .032 WALL	JD1820
13	2	CONNECTOR, MALE, COMPRESSION, BRASS, 1/4TBX1/8	JD3780-A
14	2	BUSHING, REDUCER, HEX, BRASS, 3/8 X 1/8	JD3092
15	1	VALVE, SOLENOID, GAS, 24V, 3/8 NPT	JP3731-B
16	1	PLUG, SOCKET, HEX, BRASS, 1/8 NPT	JD7243
17	1	NIPPLE, STEEL, SCH 40, 1/1/4 NPT X 9 LONG	JD3466
18	1	ELBOW, FEMALE, MI, 150#, 1-1/4 X 1-1/4	JE 888
19	1	NIPPLE, STEEL, SCH 40, 1-1/4 NPT X 5-1/2 LONG	JD3074

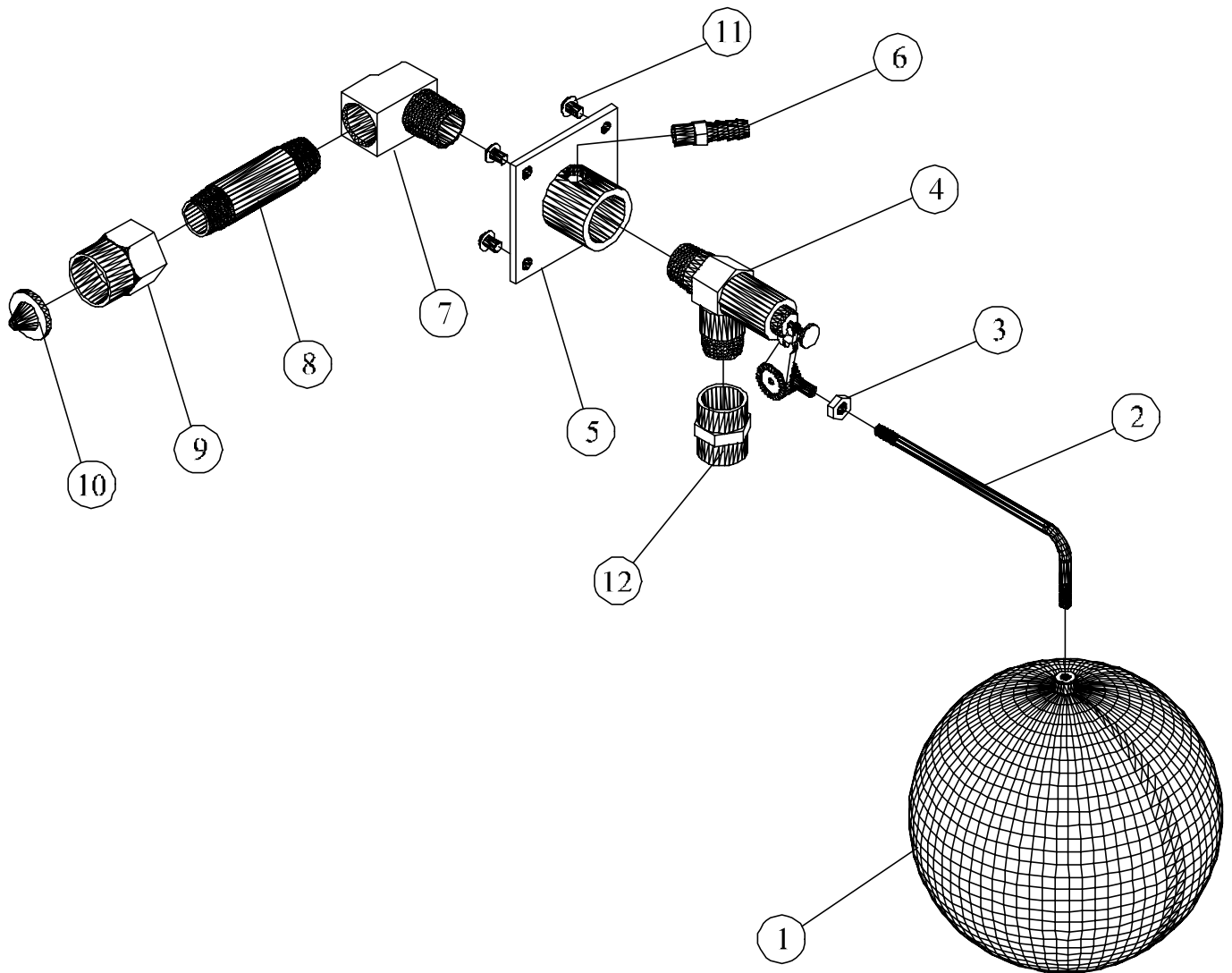
FIGURE 1-4A(MANIFOLD, NAT, BURNER, INLET, HPW1880, JD7881 ASSY)



ITEM NO.	QTY.	DESCRIPTION	PART NO.
1	1	VALVE, SOLENOID, LP, 24VAC, 1-1/4"	JE 919-A
2	1	NIPPLE, CLOSE, STEEL, SCH40, 1-1/4" NPT	JE 886
3	1	BUSHING, REDUCER, HEX, MI, 1-1/2" X 1-1/4"	JD3075
4	1	COCK, VALVE, GAS, WITH HANDLE, 1-1/2" NPT	JP1496-A
5	1	BRACKET, MANIFOLD, HPW 1510	JD8525
6	1	NIPPLE, CLOSE, STEEL, SCH 40, 1-1/2"NPT	JD1243
7	1	TEE, FEMALE, MI, 150#, 1-1/2" X 1-1/2" X 1/2	JD3076
8	1	BUSHING, REDUCER, HEX, BRASS, 1/2 X 1/8	JD6243
9	1	NIPPLE, CLOSE, STEEL, SCH 80, 1/8" NPT	JD2167
10	1	REGULATOR, GAS, PILOT,LP,5.5-12",RV10,1/8"	JD6008-A
11	1	VALVE, PILOT, SHUTOFF, BRASS, 1/8 NPT M X1/4 TUBE	JP2510-05
12	1	TUBING, ALUMINUM, 1/4 O.D. X .032 WALL	JD1820
13	2	CONNECTOR, MALE, COMPRESSION, BRASS, 1/4TBX1/8	JD3780-A
14	2	BUSHING, REDUCER, HEX, BRASS, 3/8 X 1/8	JD3092
15	1	VALVE, SOLENOID, GAS, 24V, 3/8 NPT	JP3731-B
16	1	PLUG, SOCKET, HEX, BRASS, 1/8 NPT	JD7243
17	1	NIPPLE, STEEL, SCH 40, 1/1/4 NPT X 2" LONG	JD1414
18	1	REGULATOR,GAS,PSI,LP,5"-12"WC,1-1/4 NPTF	JD3077-A
19	1	NIPPLE,CLOSE, STEEL, SCH 40, 1-1/4 NPT	JE 886
20	1	ELBOW,FEMALE,MI,150#,1-1/4 X 1-1/4	JE 888
21	1	NIPPLE, STEEL, SCH 40, 1-1/4 NPT X 5-1/2 LONG	JD3074

FIGURE 1-4B(Manifold, LP, Burner, Inlet, Fitting, JD7886, Hpw1880. Assy)





ITEM NO.	QTY.	DESCRIPTION	PART NO.
1	1	BALL, FLOAT, COPPER, 6"O.D.	JD2476
2	1	ROD, FLOAT, BENT, BRASS, 1/4 X 5-5/8LONG	JD1416-02
3	1	NUT, HEX, STEEL, PLATED, 1/4-20	JD 791
4	1	VALVE, FLOAT, BRASS, 60PSI, 3/4NPTM	JD3013
5	1	ADAPTER,INLET, WATER, SS, 3/4" GES	JD8517-A
6	1	BARB, HOSE, MALE, BRASS, 1/4HS X 1/8NPT	JD6132
7	1	ELBOW, STREET, BRASS, 3/4" NPT	JD7988
8	1	NIPPLE, BRASS, SCH40, 3/4 NPT X 3" LONG	JD7987
9	1	CONNECTOR, BRASS, 3/4 GARDEN, HOSE, X 3/4 NPTF	JD7142-B
10	1	WASHER, STRAINER, MESH, WIRE, BRASS, #30	JD 809
11	1	SCREW, SLF, TAPING, HEX, WASHER, PLTD, 10-32 X 1/2	JD6219
12	1	COUPLING, BRASS, 3/4NPT	JD3093

FIGURE 1-5 (Valve, Float, Fitting, Hpw1880, Assy)

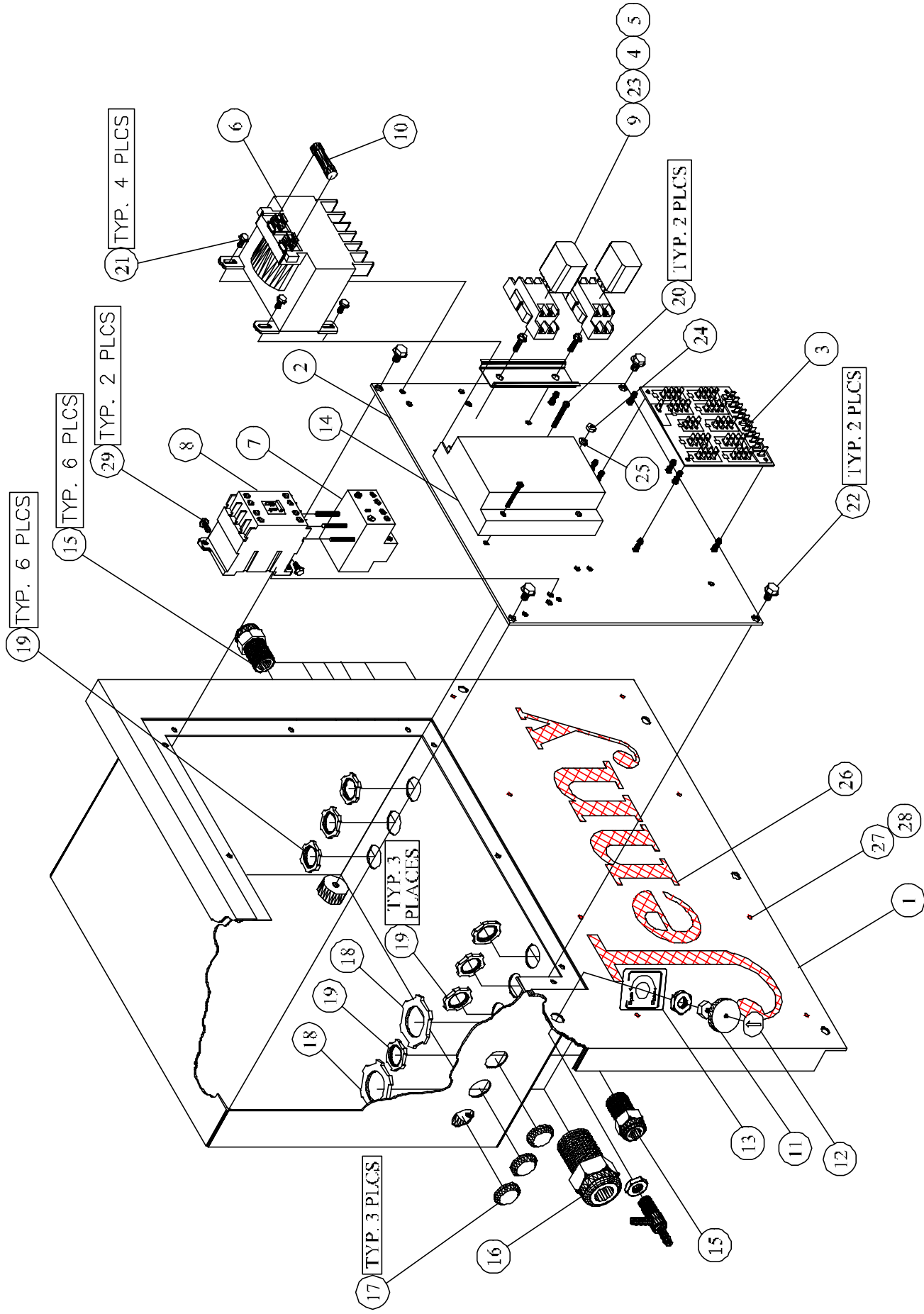
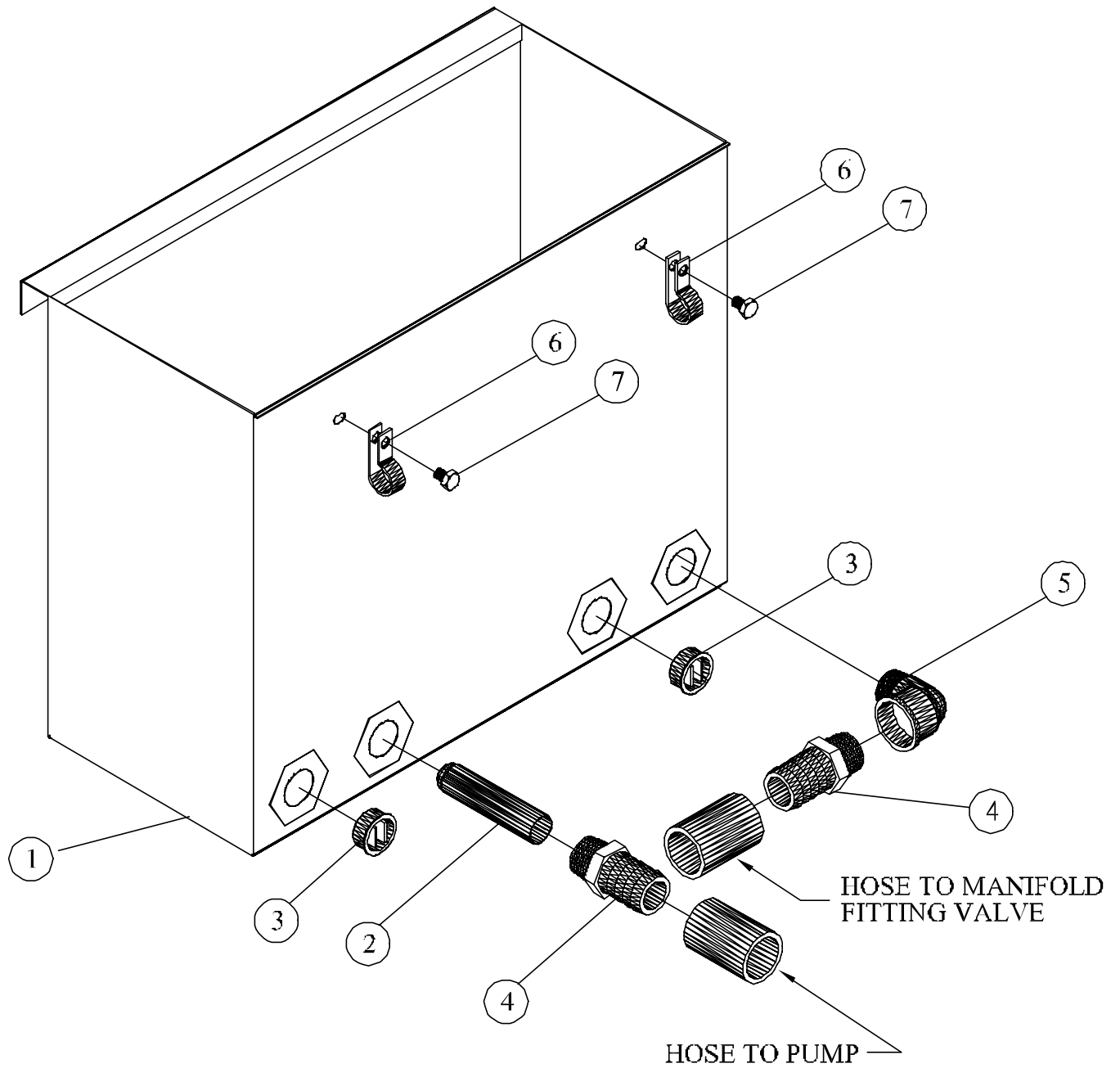


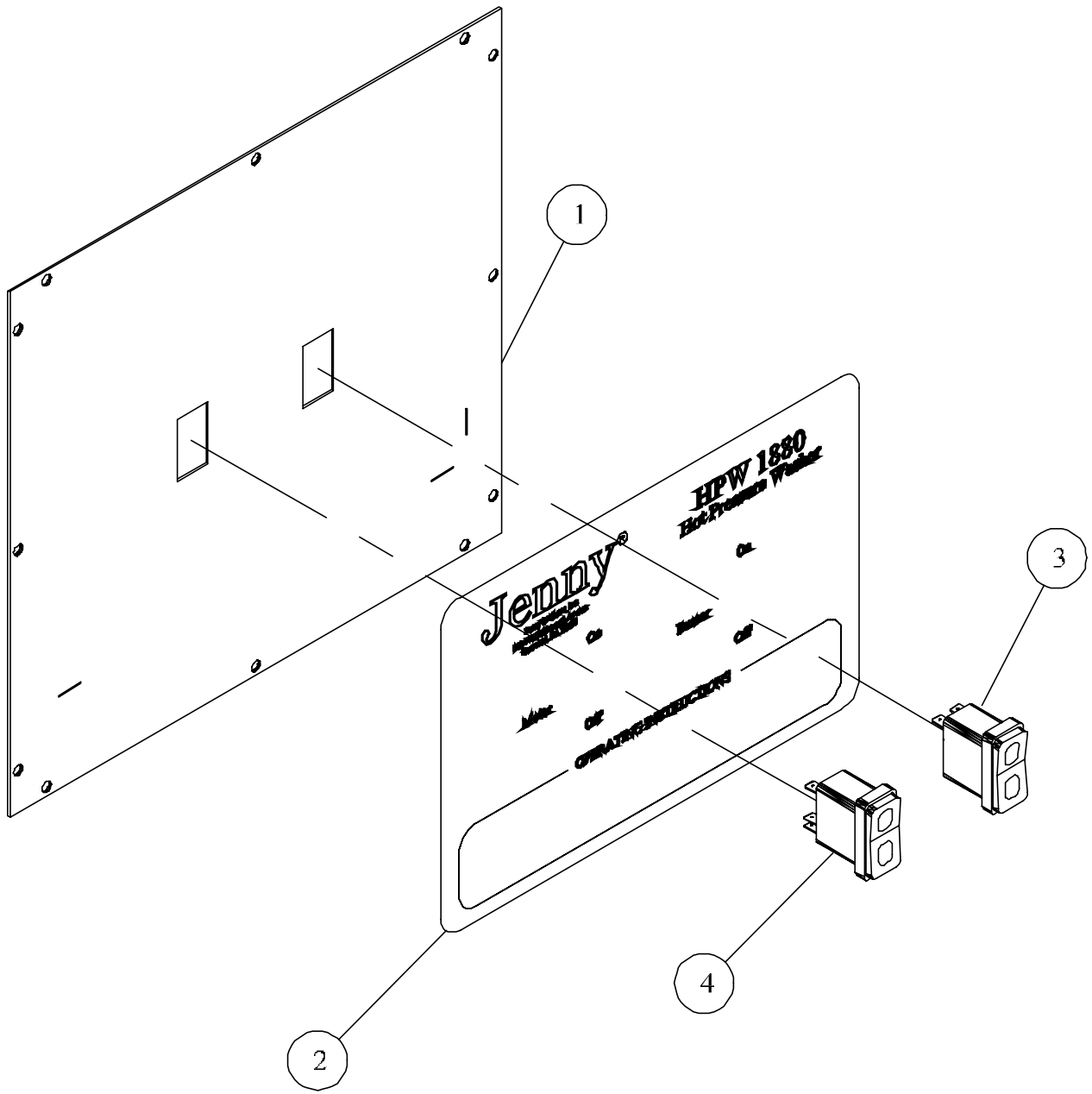
FIGURE 1-6 (BOX, JUNCTION, PANEL, FRONT, 208-230-460-575/60/3PH, 12-37A, GES, HPW1880 ASSY, JE2013)

ITEM NO.	DESCRIPTION	QTY.	PART NO.
1	PANEL, CONTROL, BOX, JUNCTION, STL, PNTD	1	JD8511
2	PLATE, MOUNTING, PANEL, CONT, BOX, JCT, ST, GES	1	JD8512
3	BOARD, CIRCUIT, PRINTED, ALL MACHINES	1	JB5000
4	BASE, RELAY, DP	2	JD7819-A
5	RELAY, DP, DT, 24VAC	2	JD7819
6-A	TRNSFRMR, CTRL, OPN, 100VA, 120-460VP, 24VS	1	JD2868
6-B	TRNSFRMR, CTRL, OPN, 100VA, 600VP, 24VS	1	JD3987-13
7-A*	RELAY, OVERLOAD, SOLID STATE, PLUG-IN, 12-37 AMPS (BEFORE 5-1-01)	1	JD7651-20
7-B*	RELAY, OVERLOAD, THERMAL, PLUG-IN, 10-14 AMPS (BEFORE 5-1-01)	1	JD7651-12
7-C	RELAY, OVERLOAD, THERMAL, PLUG-IN, 18-30A (AFTER 5-1-01)	1	JD7651-36
7-D	RELAY, OVERLOAD, THERMAL, PLUG-IN, 10-16A (AFTER 5-1-01)	1	JD7651-34
8-A	STARTER, DP, OP, 3P, 50A, 24V, CA7- SERIES, SS (BEFORE 5-1-01)	1	JD7651-R
8-B	CONTACTOR, DP, OP, 3P, 30A, 24V, W/AUX, CONTACT (BEFORE 5-1-01)	1	JD7651-B
8-C	STARTER, DP, OP, 3P, 50A, 24V, CA7-SERIES (AFTER 5-1-01)	1	JD7651-V
9	RAIL, DIN, STL, PLTD, TAIL, DOVE, 1 3/8X5/16	0.16	JD7768-A
10	FUSE, ELEMENT, DUAL, DELAY, TIME, 250V, 6AMP	1	JD3107-11
11	VALVE, NEEDLE, SOLUTION, BRASS, 1/4IDHS-BARB	1	JD6248-A
12	DECAL, INDICATOR, HANDLE, VALVE, SOLUTION	1	JD7143
13	DECAL, SOLUTION, METERING, VALVE	1	JD7821
14	CONTROL, IGNITION, UNIT, LOCKOUT, SP745	1	JP7694-A
15	CONNECTOR, RELIEF, STRAIN, 1/4-3/8, 1/2 NPTM	6	JD1687-06
16	CONNECTOR, RELIEF, STRAIN, .750-.900, 1NPTM	2	JD1687-19
17	PLUG, HOLE, PLASTIC, BLACK, 7/8"	3	JD3856
18	NUT, LOCK, CONDUIT, STEEL, PLATED, 1"	2	JD3739
19	NUT, LOCK, CONDUIT, STEEL, PLATED, 1/2"	6	JP 809
20	SCREW, MACHINE, PHILLIP, ST, PL, 8-32 X 1"	2	JD 838
21	SCREW, FLANGE, HEX, SERR, ST, PL, 8-32x3/8	6	JD7901-B
22	SCREW, FLANGE, HEX, SERR, ST, PL, 1/4-20X3/8	4	JD7904
23	SCREW, SLF DRL, HEX WASHER, PLTD, #10x5/8	1	JD7074-A
24	NUT, HEX, STEEL, PLATED, 10-32	1	JD 781
25	WASHER, LOCK, SPLIT, STEEL, PLATED, #10	1	JD 624
26	SCREEN, COVER, MACHINE, ST, PAINTED	1	JP7720-01
27	RIVET, AL, .160-.164 HOLE, .063-.125 GRP, 5/32	8	JP7720-02
28	WASHER, FLAT, SS, 3/4 O.D. X 5/32 I.D. X 20 GAUGE	8	JP7720-03
29	SCREW, FLANGE, HEX, SERR, ST, 8-32 X 5/8	2	JD7901-D
NOTES:	6A: 208-230-460 V		
	6B: 575 V		



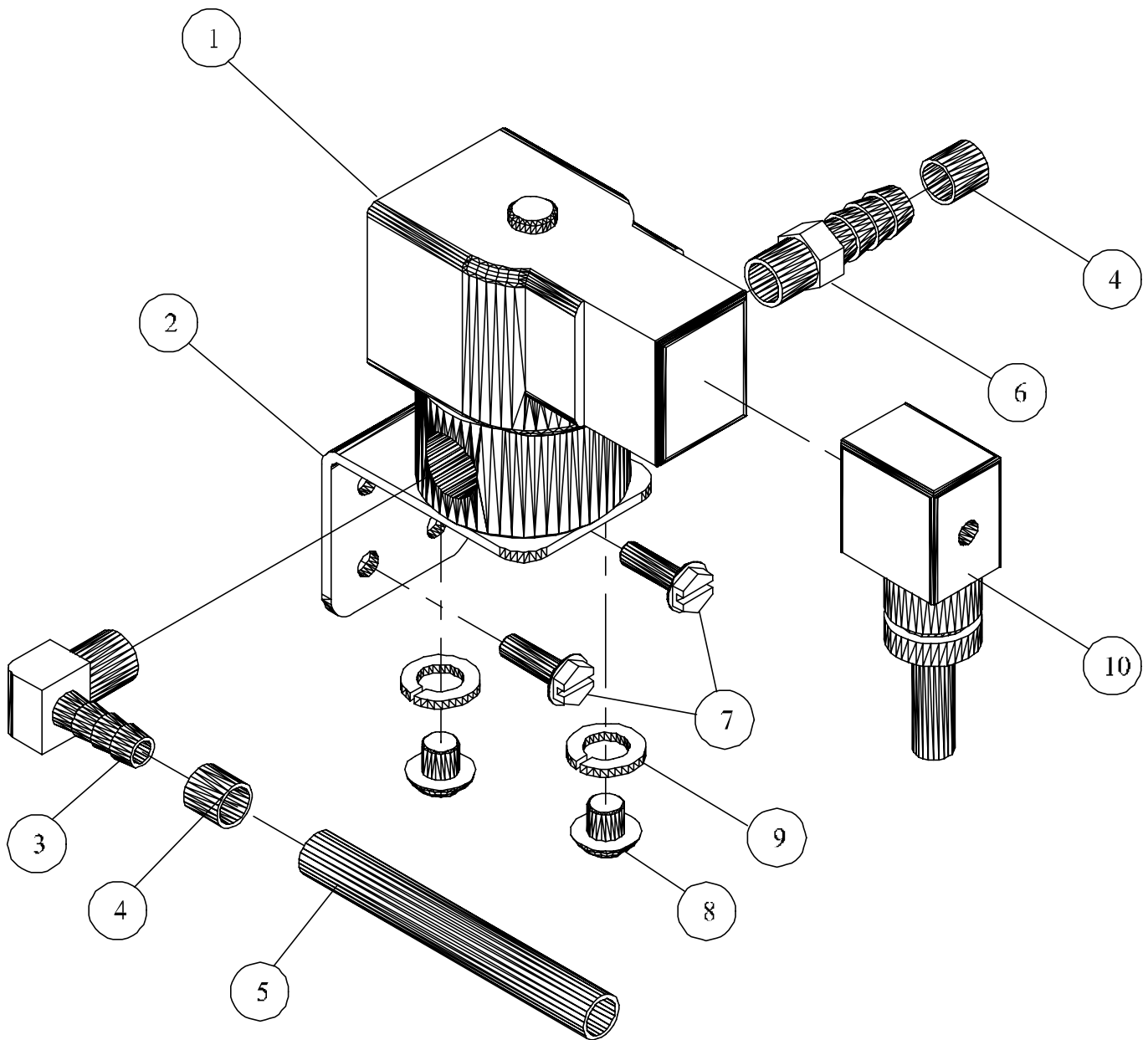
ITEM NO.	QTY.	DESCRIPTION	PART NO.
1	1	TANK, FLOAT, SS, LARGE, BOLT-ON, GES	JD8524
2	1	STRAINER, WATER, SS, 30 MESH, 25/32 O.D.X3-1/8 LG	JD3843
3	2	PLUG, TRISURE, STAINLESS, STEEL, 3/4NPTM	JD1339-01
4	2	BARB, HOSE, MALE, BRASS, 3/4 HS X 3/4 NPT	JD3855
5	1	ELBOW, STREET, BRASS, 3/4" NPT	JD7988
6	2	CLAMP,CABLE,NYLON,#10SCREW,5/8"	JD1520
7	2	SCREW,FLANGE,HEX,SERR,ST,PL,1/4-20X1/2	JD7904-A

FIGURE 1-7 (Tank, Float, Fitting, JD8524, Hpw1880, Assy)



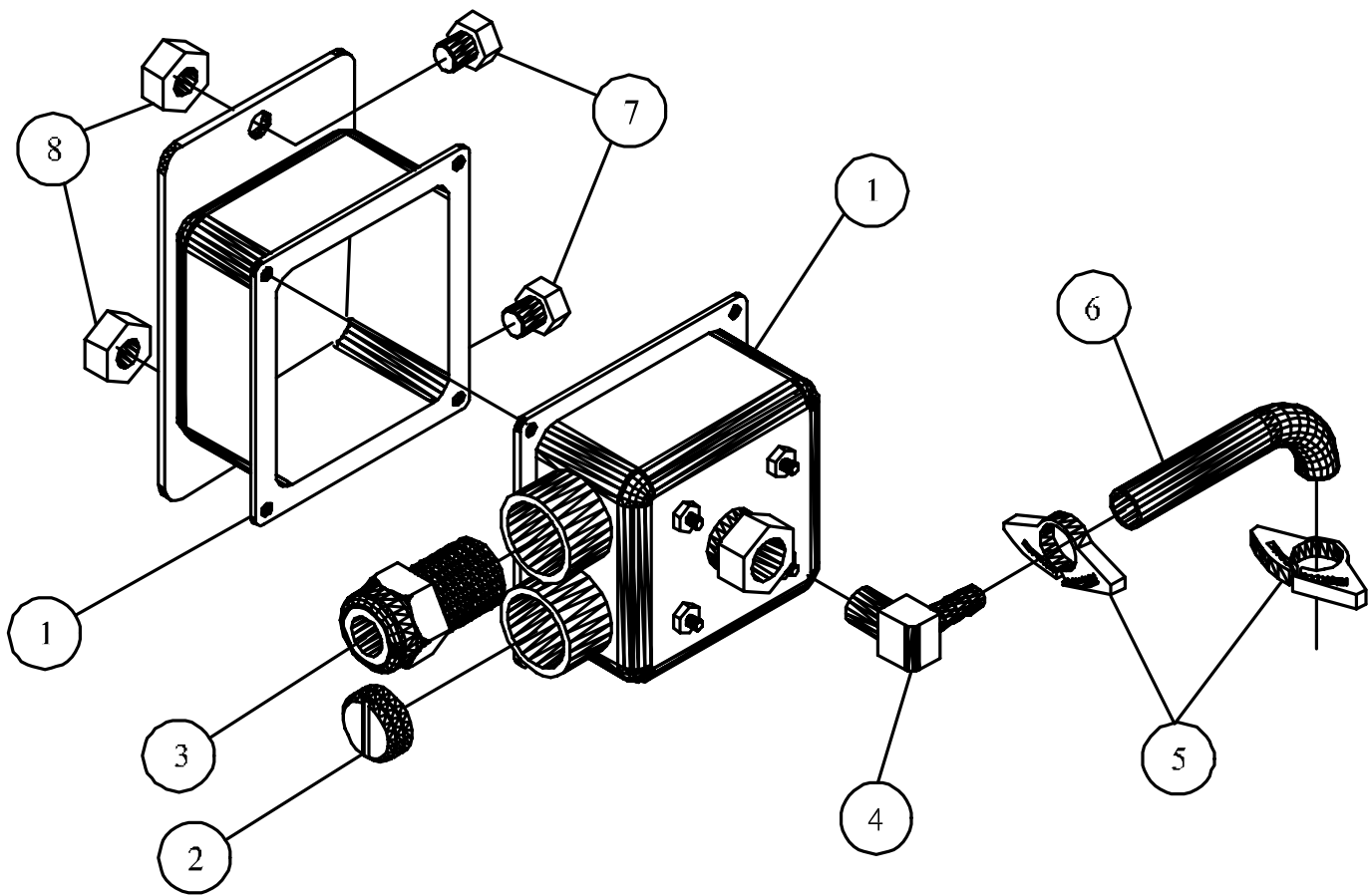
ITEM NO.	QTY.	DESCRIPTION	PART NO.
1	1	PLATE, COVER, PANEL, CONT, BOX, JCT., HPW, GES	JD8513
2	1	DECAL, PANEL, INSTRUCTION, HPW 1880, OEP & GES	JD8411
3	1	SWITCH, ROCKER, SP, ST, 10A, 24V, LED, LIGHT	JE1004
4	1	SWITCH, ROCKER, DP, DT, OFF-ON-MOM-10A, 24V	JE1006

FIGURE 1-8 (Panel, Instruction, Fitting, JD8513, HpW1880, Assy)



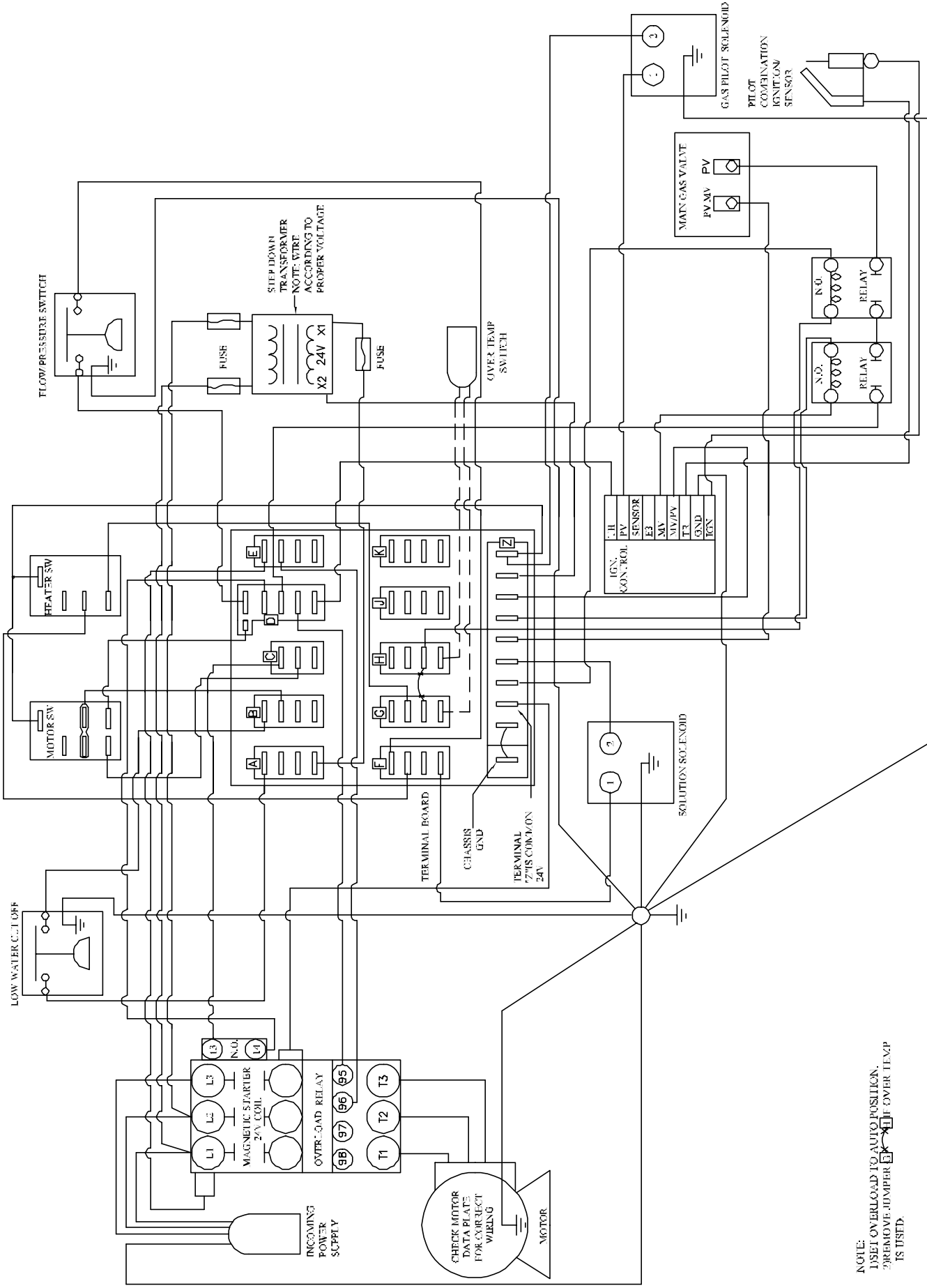
ITEM NO.	QTY.	DESCRIPTION	PART NO.
1	1	VALVE, SOLENOID, SOLUTION, 24V, 1/4NPT	JD2162-F
2	1	BRACKET, MOUNTING, SOLUTION, SOLENOID	JD7760
3	1	BARB, HOSE, ELBOW, MALE, BRASS, 1/4HS X 1/4 NPT	JD7078
4	2	CLAMP, SLEEVE, PLASTIC, 3/8 I.D.	JD2759
5	1	TUBING, PVC, CLEAR, 3/8 O.D. X 1/4 I.D.	JD3087
6	1	BARB HOSE 1/4 HS X 1/4 NPT	JD2765
7	2	SCREW, SLF, DRL, HEX WASHER, PLTD, #10 X 5/8	JD7074-A
8	2	SCREW, MACHINE, PHILLIPS, ST, PL, 10-32 X 3/8	JD3234
9	2	WASHER, LOCK, SPLIT, STEEL, PLATED, #10	JD624
10	1	CONNECTOR, SOLENOID, RELIEF, STRAIN, DIN	JD7703

FIGURE 20-1 (VALVE, SOLUTION, SOLENOID, JD2162-F, ASSY)



ITEM NO.	QTY.	DESCRIPTION	PART NO.
1	1	SWITCH, PRESSURE, W/BRACKET, WELDED ASSY	JP7731
2	1	PLUG, HOLE, BOX, JUNCTION, 1/2 NPS	JD7719
3	1	CONNECTOR, RELIEF, STRAIN, 1/4-3/8, 1/2NPM	JD1687-06
4	1	BARB, HOSE, ELBOW, MALE, BRASS, 1/4HS X 1/4NPT	JD7078
5	2	CLAMP, HOSE, NYLON, BLACK, .406/.468 DIA	JD-7859-A
6	1	TUBING, PVC, REINFORCED, 1/4ID	JD7850
7	2	SCREW, FLANGE, HEX, SERR,ST, PL, 1/4-20 X 1/2	JD7904-A
8	2	NUT, LOCK, FLANGE, HEX, SERR, ST, PL, 1/4-20	JD7774-D

FIGURE 20-2 (SWITCH, PRESSURE, W/BRACKET, WELDED, JD7731, ASS'Y)



NOTE:  
 1) SET OVERLOAD TO AUTO POSITION.  
 2) REMOVE JUMPER IF OVER TEMP IS USED.

File Name: Jw 306 Gas, Fired, SJ, Hot Pressure Washer, W Mom & Dual-Relay, 3 Ph.  
 (Electrical Schematic Diagram)