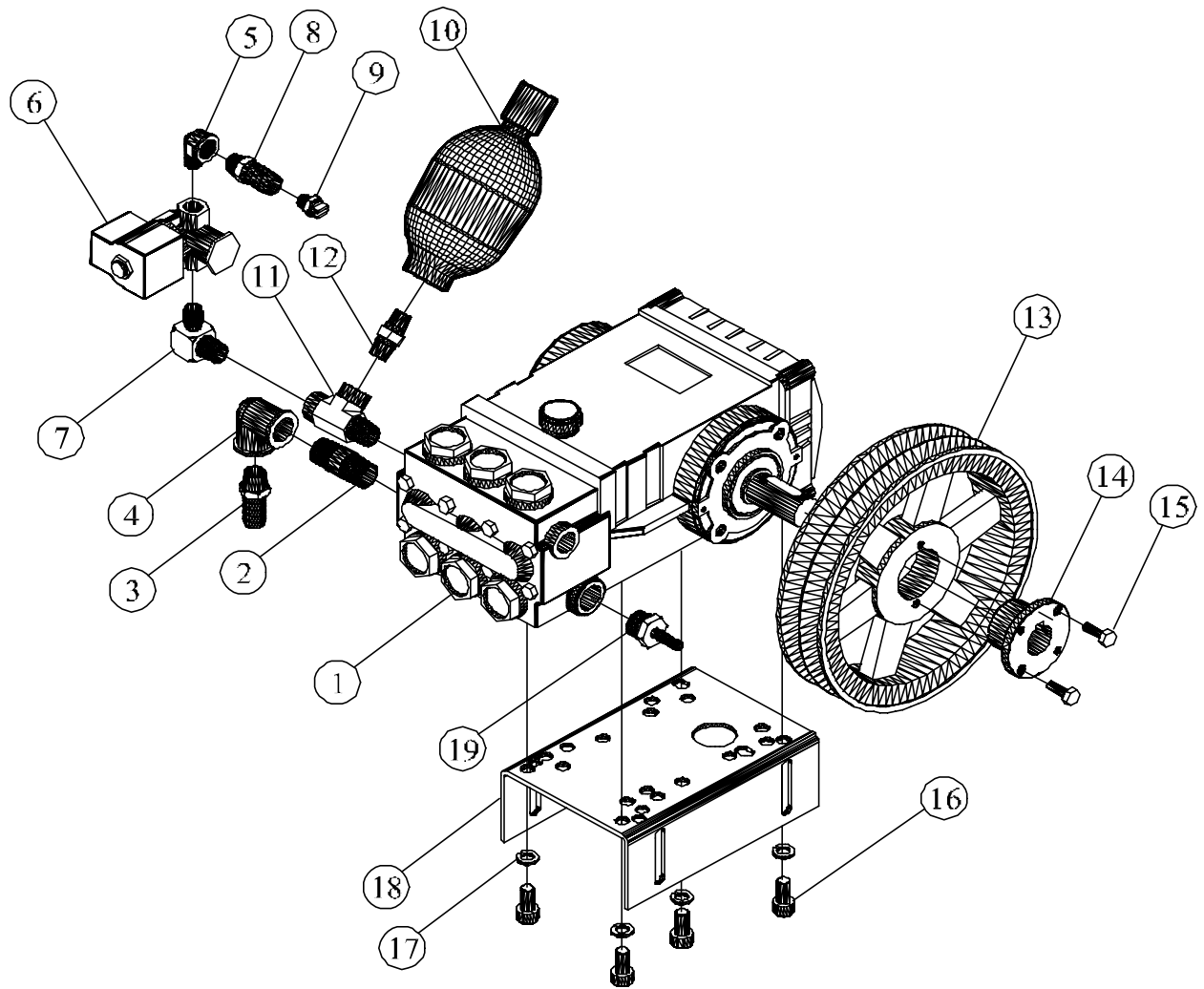


2040-C OMP,ES,N/C,,JB,MAG			
PARTS LIST			
Notes: Figure 20- (Common Parts)			
Electrical Dia. Files Jw 125			
ITEM NO.	DESCRIPTION	QTY.	PART NO.
1	CHASSIS,CHANNEL,MAIN,ST,PAINTED,OILFIRE I	1	JD8000
2 ASSY SEE FIG 1-8	BLOWER,AIR,ASSY,6"ODX4"WX1/2"SHAFT	1	JB2000
3 ASSY SEE FIG 1-2	BURNER,GUN,OIL,DOUBLE ELECTRODE	1	JB1000
4 ASSY SEE FIG 1-4	TANK,FLOAT,ASSY,W/FITTINGS,2040-C,CMB	1	JD8245-A
5	CASING,COIL,BOLT-ON,STEEL,PAINTED,LARG E	1	JD8002
6	COIL,OIL FIRED,3/8"PIPE,SCH8 C	1	JP2610-D
7	POT,FIRE,SS	1	JL 133
8	DISC,INSULATION,CERAMIC,14-3/8ODX4-1/8X3/ 8	1	JD7238-A
9	CORDSET,VALVE,SOLENOID,FUEL,SUNTE C	1	JD3306-E
10	TEE,FEMALE,STEEL,PLATED,3/8NP T	1	JD3971
11	NIPPLE,STEEL,SCH80,3/8NPTX2-3/4LON G	1	JD 968
12	ELBOW,FEMALE,BRASS,FORGED,3/8NPT F	1	JD 691-01
13	THERMOSTAT,IMMERSION,SP,ST,NC,340 DEG F	1	JD7137-A
14 ASSY SEE FIG 1-11	COMBINATION,MACHINE,BYPASS,HOSE,FITTING,ASS Y	1	
15	HOSE,FUEL,ASSY,1/4"X42"L,HP W	2	JD8246
16 ASSY SEE FIG 1-1	PUMP,MOUNTING&FITTING,ASSY,2040C,OMP,GE N	1	JD8321-A
	OIL,PUMP,SYNTHETIC,HIGH-PERFORMANCE,1 QI	1	JD7999-A
	OIL,PUMP,SYNTHETIC,HIGH-PERFORMANCE,1 PI	1	JD7999-B
17 ASSY SEE FIG 1-3	MANIFOLD,FITTINGS,VALVE,2040-C,ASSY,OM F	1	JD8243-A
18	PANEL,COVER,REAR,STEEL,PAINTED,N S	1	JD8006
19	PLATE,STIFFNER,ENGINE,GASOLINE,STEEL,OM F	1	JD8019
20 ASSY SEE FIG 1-5	MAGNETO,IGNITION,FM,CCW, ASSY	1	JD 942-A
SEE FIG 1-6	MAGNETO,IGNITION,FM,CCW, PARTS BREAK DOWN		
21	ENGINE,GASOLINE,KOHLER,13HP,E.S	1	JD7781
22	PULLEY,ALUM,SG,4.04ODX.501ID,(A39X1/2"G) W/ KEYWA Y	1	JD7986
23	BELT,VEE,FHP,COG,4L21 0	1	JD7896
24	BELT,VEE,FHP,COG,3L29 0	1	JD3315-02
25	PULLEY,CRS,SG,1-3/4ODX1/2ID(3L BELT) W/KEY WA Y	1	JD3233-04
26	BELT,VEE,COG,BX4 2	3	JD3959-15
27	COVER,SS,ASSY,OMP,NEW,JB,MAC H	1	JD8249
28 ASSY SEE FIG 1-7	PANEL,COVER,FRONT,ST,PAINTED,OMP,CMB,JB	1	JD8013-A
29	TUBING,PVC,REINFORCED,3/8" I D	1	JD7575
30	BRACKET,BATTERY,STEEL,PAINTED,OMP,J B	1	JD8017
31	TRAY,BATTERY,STEEL,PAINTED,LARGE,CP W	1	JD7775-G
32	BOX,BATTERY,PLASTIC,BLACK,11X7-1/2X8-3/ 4	1	JD7769
33	CASTER,SWIVEL,W/BRAKE,5"DIA X 2"FACE	1	JD3217-01
34	CASTER,SWIVEL,W/OBRAKE,5"DIA X 2"FACE	1	JD3217-02
35	AXLE,CHASSIS,STEEL,PLATED,3/4"ODX24"O/ L	1	JD8010
36	WHEEL,PNEUMATIC,10"ODX3/4"ID,BALLBEARIN G	2	JP2643-F
37	WIRE,IGNITION,BURNER,MAGNETO,ASSY,34 "	1	JP3950-M
38	COLLAR,SCREW,SET,STEEL,PLATED,3/4" I D	2	JD7777
39	WIRE,IGNITION,BURNER,ASSY,27.5 "	1	JP3950-F
40	TUBING,PVC,CLEAR,3/8ODX1/4I D	4	JD3087
41	RING,CASING,COIL,SS,7-15/16I D	1	JD2140-B
42	GROMMET,RUBBER,BLACK,7/16"ID	5	JD3385-01
43 ASSY SEE FIG 1-10	NOZZLE,STEAM,3/4HEX,STEEL,PLATED,TAPPED	1	JP3308-B
44	WASHER,LOCK,SPLIT,STEEL,PLATED,3/8 "	14	JD 613
45	RETAINER,SCREW,PHILLIPS,HEAD,"N "	6	JP7733-02
46	RECEPTICAL,CLIP-ON,STEEL,DACROTIZE I	6	JP7733-01
47	DECAL,NUMBER,MODEL,2040-C,BLUE,LARG E	2	JD8470
48	SCREW,SLF DRL,HEX WASHER,PLTD,#10x5/ 8	10	JD7074-A
49	CLAMP,GEAR,WORM,SS,7/16 TO 25/32" DIA	2	JD3068
50	SCREW,CAP,HEX HD,ST,PL,3/8-16X3/4"	4	JD 561
51	SCREW,CAP,HEX HD,ST,PL,5/16-18X3/4"	12	JD 556
52	SCREW,CAP,HEX HD,ST,PL,FLT,3/8-16X2-1/4 "	2	JD7035
53	SCREW,CARRIAGE,GR5,ST,PL,3/8X 6	2	JD7798
54	NUT,HEX,STEEL,PLATED,5/16-18	6	JE 755
55	NUT,HEX,STEEL,PLATED,3/8-1 6	4	JD 846

56	NUT,LOCK,FLANGE,HEX,SERR,ST,PL,3/8-1 €	2	JD7774-F
57	WASHER,FLAT,STEEL,PLATED,5/1 €	12	JD 894
58	WASHER,FLAT,STEEL,PLATED,1/ 4	6	JD 787
59	WASHER,LOCK,SPLIT,STEEL,PLATED,1/4 '	12	JD 611
60	WASHER,LOCK,SPLIT,STEEL,PLATED,5/16 '	14	JD 612
61	WIRE,BATTERY,ASSY,#6 GA,RED,61"LON G	1	JD7989
62	WIRE,BATTERY,ASSY,#6 GA,BLACK,56"LON G	1	JD7990
63	SCREW,PHILLIPS,HEAD,"N",COVE R	6	JP7733
64 SUPPLIED W/ ENGINE	SOLENOID,STARTER,ELECT-START,KOHLER	1	JD7706-03
65	KEY,STEEL,PLATED,1/8X1/8X2-1/8"LON G	1	JD 950-02
66	CLIP,SEPARATOR,WIRE,IGNITION,7MM,2-WIR E	2	JD7831
67	CLIP,SEPARATOR,WIRE,IGNITION,7MM,3-WIR E	2	JD7832
68	MUFFLER,RD,ENGINE,KOHLER,11-15HP, TOP,KI T	1	JD7780-07
69	FILTER,OIL,FUEL,W/HEAD,3/8NP T	1	JD2117
	FILTER,OIL,FUEL,CARTRIDGE REPLACEMENT, SPIN-O		JD2117-01
70	CONNECTOR,MALE,BRASS,1/4-45SAEX3/8NP T	1	JD1277
71	CONNECTOR,MALE,BRASS,1/4-45SAEX1/4NP T	4	JD 659
72	CLAMP,SLEEVE,PLASTIC,3/8I D	1	JD2759
73 ASSY SEE FIG 1-9	GUN,TRIGGER,3000PSI,8GPM,320F	1	JD6068-B
74	SCREW,CAP,HEX,HD,ST,PL,1/4-20X1/2"	10	JD 550
75	NOZZLE,SPRAY,PSI,SS,QCK CON,0 DEG,O#6. C	1	JD7755-04
76	NOZZLE,SPRAY,PSI,SS,QCK CON,15DEG,O#6. 0	1	JD7756-04
77	NOZZLE,SPRAY,PSI,SS,QCK CON,25DEG,O#6. 0	1	JD7757-04
78	NOZZLE,SPRAY,PSI,SS,QCK CON,40DEG,O#6. 0	1	JD7758-04
79	SCREW,CAP,HEX,HD,GR5,ST,PL,1/4-20X3/4"	4	JD 551
80	WASHER,STRAINER,MESH,WIRE,BRASS,#3 C	2	JD 809
81	HOSE,COMBINATION,JENNY,3/8X50'	1	JD7624
82	DECAL,NAMEPLATE,OIL FIRE C	1	JD6251-05
83	DECAL,CLEAR,MYLA R	1	JD6251-08
84	GUARD,MUFFLER,ROUND,KOHLER,11-15HP,TO F	1	JD7780-07
85	TAG,TESTED,FUE L	1	JD7196-01
86	DECAL,DANGER,WARNING,CAUTION,LARG E	1	JD7239
87	PLUG,HEAD,SOCKET,HEX,STEEL,PLATED,3/4"N F	1	JD 877
88	CAP,FILLER,FUEL,STEEL,PLATED,1/4 TUR N	1	JD3174
89	TANK,FUEL,BOLT-ON,STEEL,PAINTED,13.3 GA I	1	JD8020
90	TUBING,COPPER,ASSY,BURNER,F.PUMP-SOL,J B	1	JD1722-U
91	WIRE,BATTERY,ASSY,#6 GA,RED,12"LON G	1	JP7128-E
92	SCREW,CAP,HEX HD,ST,PL,3/8-16X1"	4	JD 563
93	WASHER,FLAT,STEEL,PLATED,3/ 8	4	JD 873
94	DECAL,LOGO,JENNY,BLU E	2	JD7185
95	GROMMET,RUBBER,BLACK,1-1/2,I.D	1	JP 675
96	BAFFLE,TANK,FLOAT,REMOVABL E	1	JP3385-08
97	STRAINER,CHEMICAL,BRASS,1/4"HOSEBAR B	1	JD7140-A
98	KEY,STEEL,1/4X1/4X2-1/2LENGT H	1	JP6714-03
99	CLAMP,HOSE,NYLON,BLACK,,750/.875DI A	2	JD7859-F
100	PULLEY,CLFG,4BG34X1",3.4DP A	1	JD3904-70
101	VALVE,SOLENOID,SOLUTION,12V,1/4NP T	1	JD2162-D
102	HOSE,SOLVENT,NEOPRENE,1/2" I D	3	JD 946
103	HOSE,HYD,3K PSI,31"L,3/8NPTM,90D-3/8NPT M	2	JD7893
104	WASHER,STEEL,3/4ID,SA E	2	JP2036-03
105	HOSE,RUBBER,GARDEN,5/8	36	JL 146
106	FILTER,OIL,REPLACEMENT,CH11-CH13,KOHLER#5205002	1	JD7767-04
107	CLAMP,HOSE,GEAR,WORM,SS,9/16TO1-1/16DI A	2	JD1229-A
108	GROMMET,RUBBER,BLACK,5/8" I.D	1	JD3385
109 ASSY SEE FIG 1-12	PUMP,FUEL,ASSY,JENNY-BURNER	1	JP7738
110	NIPPLE,CLOSE,BRASS,3/8NP T	1	JD3054
NOT SHOWN	DECAL,PACKED,GROOMED,TESTED	1	JD6013
NOT SHOWN	DECAL,MADE-IN-THE-USA,JENNY	1	JD6211
NOT SHOWN	DECAL,NOTICE,BATTERY,USE 12V 20AMP	1	JD7023
NOT SHOWN	DECAL,FUEL,OIL,MYLAR,BLUE,1"X4'	1	JD2345



ITEM NO.	QTY.	DESCRIPTION	PART NO.
1	1	PUMP,PLUNGER,TRIPLEX,3000PSI,4.0GPM,GEN	JD7869
2	1	NIPPLE,BRASS,1/2NPTX1-1/2LONG	JD3094-01
3	1	BARB,HOSE,MALE,BRASS,1/2HSX1/2NPT	JD7077-A
4	1	ELBOW,FEMALE,BRASS,FORGED,1/2NPT	JD 692-02
5	1	ELBOW,REDUCER,BR,STREET,90DEG,3/8FX1/4M	JD7825
6	1	VALVE,SOLENOID,BYPASS,12VDC,3/8NPT	JD3063-C
7	1	ELBOW,REDUCER,ST,PLTD,90DEG,MALE,3/8X1/4	JD7824
8	1	BARB,HOSE,MALE,BRASS,TAPPED1/4,5/8HSX3 8	JP6898
9	1	NOZZLE,SPRAY,PSI WASH,SS,1/4MEG-25085	JD6144
10	1	ACCUMULATOR,BLADDER,3000#WP,1050# CHARGE	JD7646-I
11	1	TEE,STREET,STEEL,PLATED,3/8"NPT	JD 860-02
12	1	NIPPLE,HEX,STEEL,PLATED,3/8NPTX3/8NPT	JD3716-01
13	1	PULLEY,CIDG,TH,2BK90H,8.OPDA,8.4PDB	JD3904-56
14	1	BUSHING,PULLEY,TAPERED,24MM BORE	JD3915
15	2	H.H.B.1/4-20 UNC-3/4 CLASS 5 RECEIVED W/BUSHING	
16	4	METRIC RECEIVED W/ PUMP	
17	4	WASHER, LOCK, SPLIT, STEEL, PLATED, 3 8"	JD 613
18	1	PLATE,MOUNTING,PUMP,STEEL,PAINTED,JB	JD8016
19	1	BARB,HOSE,MALE,BR,1/4HSX1/2NPTM	JD7826

FIGURE 1-1 (Pump, Mounting, Fitting, JD8321-A, 2040-C OMP, Assy)

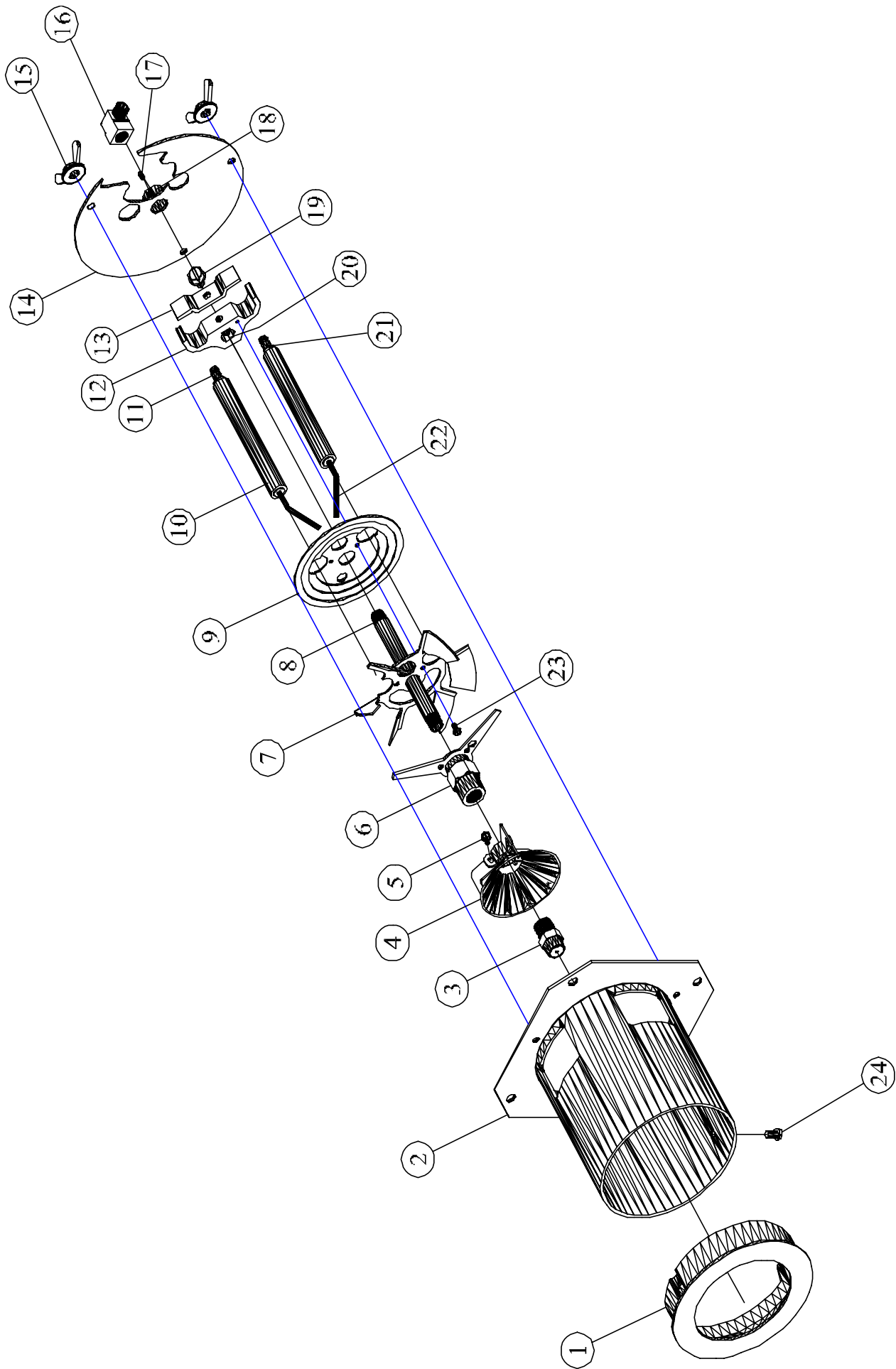
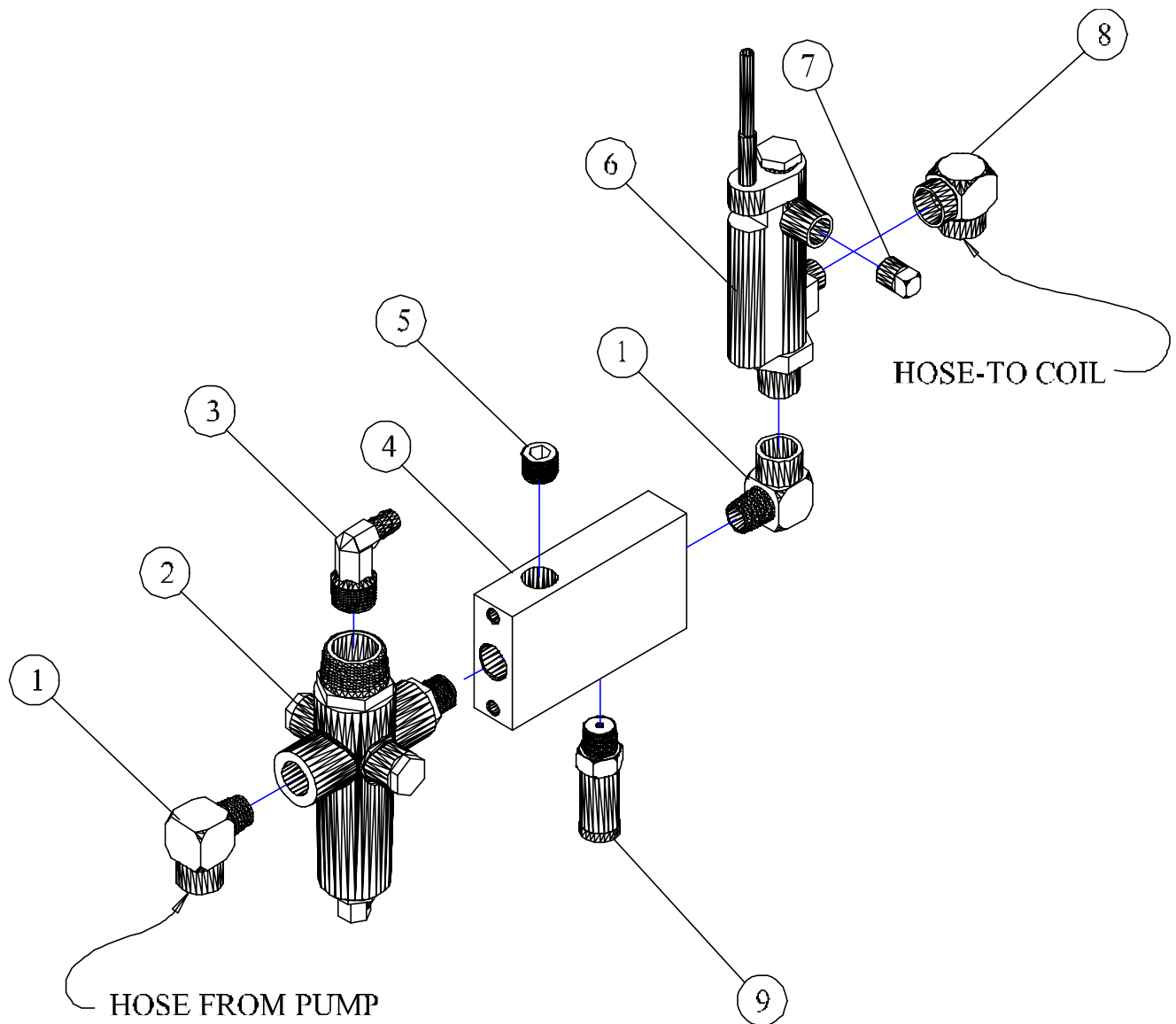


FIGURE 1-2 (Burner, Gun, Oil, Double, Electrode JB1000, 2040-C OMP, Assy)

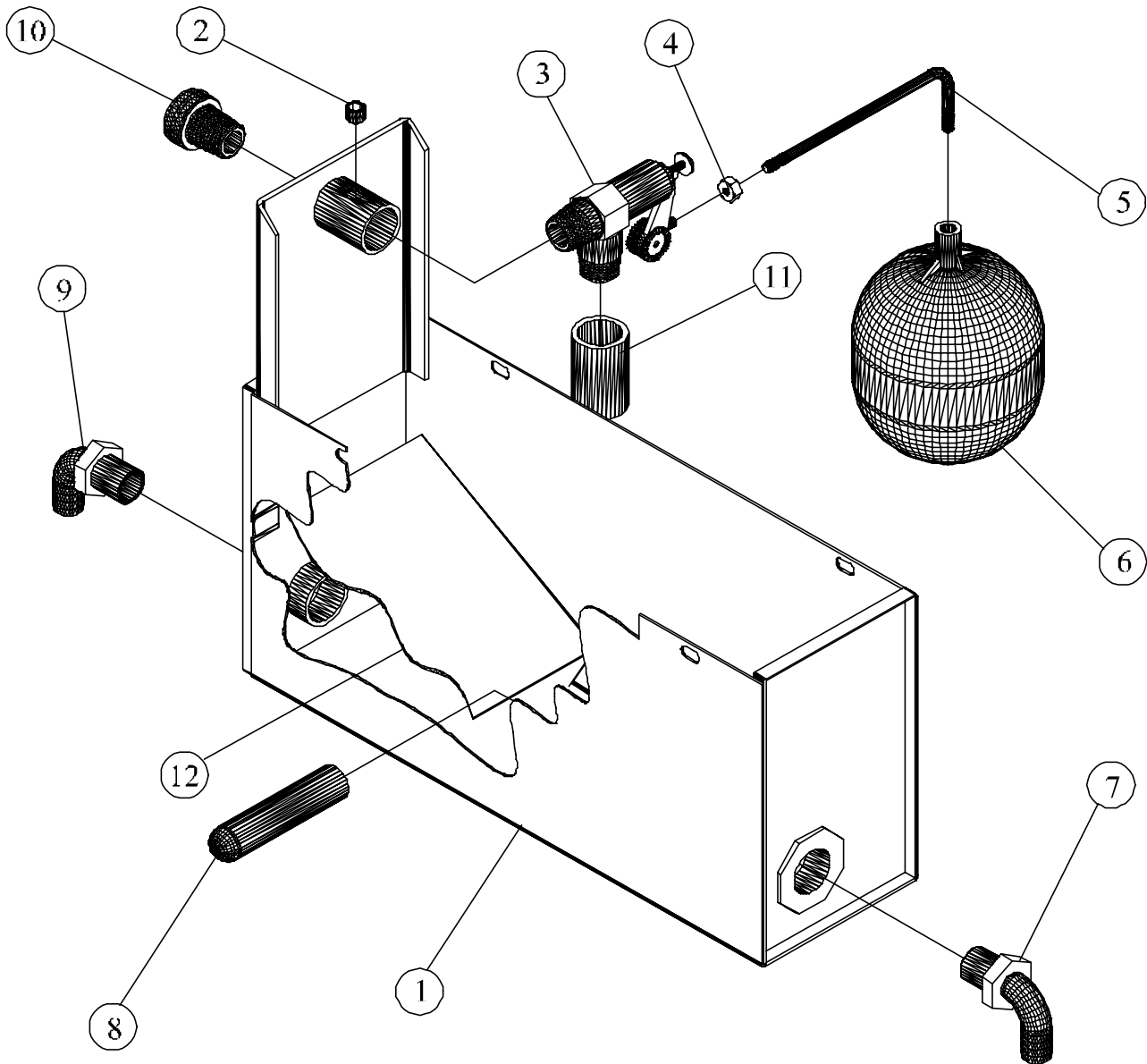
**2040-C, OMP**  
**BURNER, GUN, OIL, DOUBLE, ELECTRODE**  
**JB1000, ASSY**

ITEM NO.	DESCRIPTION	QTY.	PART NO.
1	CONE, AIR, MI, 4.0 O.D. X 3.0 I.D. X .875 LONG	1	JB1002
2	TUBE, AIR, STEEL, 4.25 O.D. X 4.0 I.D. X 4.50 LONG ASSY	1	JB1001
3	NOZZLE, BURNER, OIL, 1.75 GPH, 80 DEG S.C. (ON MACHINE B.O.M.)	1	JB1510
4	FLAME LOCK, STAINLESS, 10 VANE, 2.5" CONE	1	JB1007
5	SCREW, SELF TAP, HEX, WASH, STEEL, PLATED, 6-32 X 3/8	1	JB1014
6	ADAPTER, NOZZLE, BRASS, W/LEG, SUPPORT	1	JB1006
7	WHIRLER, STEEL, PLATED, 6 VANE, 3-11/16 O.D.	1	JD1010
8	NIPPLE, STEEL, SCH40, 1/8" NPT X 4" LONG	1	JB1004
9	PLATE, STEEL, PLATED, DISC, SOLID, 3-3/8 O.D.	1	JB1009
10	INSULATOR, ELECTRODE, CERAMIC, GLAZED, 4"	2	JB1015-01
11	CONNECTOR, SPARK PLUG, RAJAH, 100734-002	2	JB1015-04
12	SUPPORT, ELECTRODE, ALUMINUM	1	JB1008
13	CLAMP, ELECTRODE, STEEL, 13 GA. X .5 X 2.0	1	JB1011
14	PLATE, BURNER, STEEL, 14 GA X 5.25 DIAMETER	1	JB1003
15	NUT, WING, STEEL, FORGED, PLATED, 10-24	3	JD2186
16	ELBOW, FEMALE, BRASS, 1/4-45 SAE X 1/8 NPTF	1	JB1018
17	SCREW, SET, HEX, CUP POINT, NYLK, 1/4-20X1/4	1	JE 895
18	COLLAR, STEEL, .875 O.D. X .437 I.D. X .437 LONG	1	JB1005
19	SCREW, MACHINE, HEX, WSHR, ST, PLATED, 10-24 X 5/16	1	JB1013
20	SCREW, SET, HEX, CUP POINT, 10-24 X 1/4	1	JB1012
21	NUT, LOCK, FLANGE, HEX, ST, PL, #6-32	2	JB1015-03
22	ELECTRODE, BENT RADIUS, TUNGSTEN	2	JB1015-02
23	SCREW, SELFTAP, HEX WASH, ST, PL, 4-40 X 3/8	1	JB1016
24	SCREW, MACHINE, PHILLIPS, ST, PL, FL, 8-32 X 3/8	1	JB1017



ITEM NO.	QTY.	DESCRIPTION	PART NO.
1	2	ELBOW,STREET,STEEL,PLATED,3/8NPT	JD3717-03
2	1	VALVE,UNLOAD,FLW ACT,1000-3000#,3.0-4.2	JD3325-E
3	1	BARB,HOSE,ELBOW,MALE,BRASS,3/8HSX1/2NPT	JD7150-01
4	1	MANIFOLD,FITTINGS,STEEL,PLATED,ALL UNITS	JP7716
5	1	PLUG,SOCKET,HEX,BRASS,3/8NPT	JD7151
6	1	SWITCH,FLOW,SP,ST,NO,20VA,3/8NPTM	JD7279
		REPLACEMENT, REED, SWITCH ASSY W/47" LEAD	JD7279-01
7	1	PLUG,HEAD,SQUARE,BRASS,1/4NPT	JD 679-02
8	1	ELBOW,FEMALE,STEEL,PLATED,3/8"NPT	JD 691
9	1	VALVE,RELIEF,2400-3000PSI,160F,3/8NPTM	JD7048-A

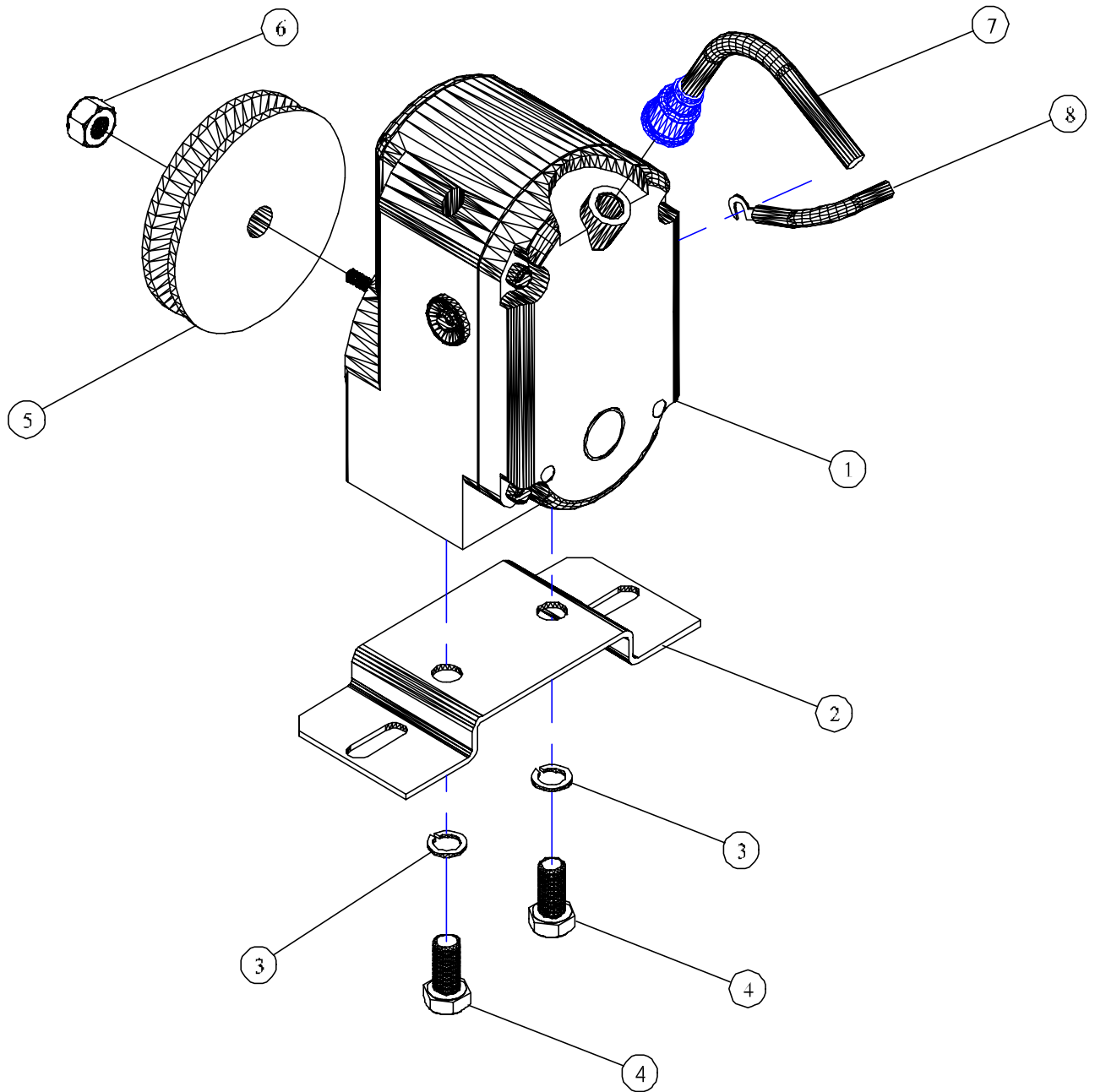
FIGURE 1-3 (Manifold, Valve, Fitting, JD8243-A,2040-C OMP, Ass'y)



ITEM NO.	QTY.	DESCRIPTION	PART NO.
1	1	TANK, FLOAT, BOLT-ON, JB	JD8015
2	1	PLUG, SOCKET, HEX, BRASS, 1/8NPT	JD7243
3	1	VALVE, FLOAT, BRASS, 60PSI, 1/2"NPTM	JD2988-B
4	1	NUT, HEX, STEEL, PLATED, 1/4-20	JD 791
5	1	ROD, FLOAT, BENT, BRASS, 1/4 X 5-5/8 LG X 1/4-20	JD1416-02
6	1	BALL, FLOAT, PLASTIC, BLACK	JD1416-01
7	1	ELBOW, BARB, HOSE, MALE, PLASTIC, 1/2HSX3/4NP	JD7058
8	1	STRAINER, WATER, SS, 30MESH, 47/64 O.D. X 3-1/8 LG	JD3843-B
9	1	ELBOW, BARB, HOSE, MALE, PLASTIC, 5/8HS X 3/4 NP	JD3663
10	1	WATER, HOSE, CONNECTOR	JD7142
11	1	HOSE, RUBBER, BLACK, 3/4	JE 558
12	1	BAFFLE, TANK, FLOAT, REMOVABLE	JP3385-08

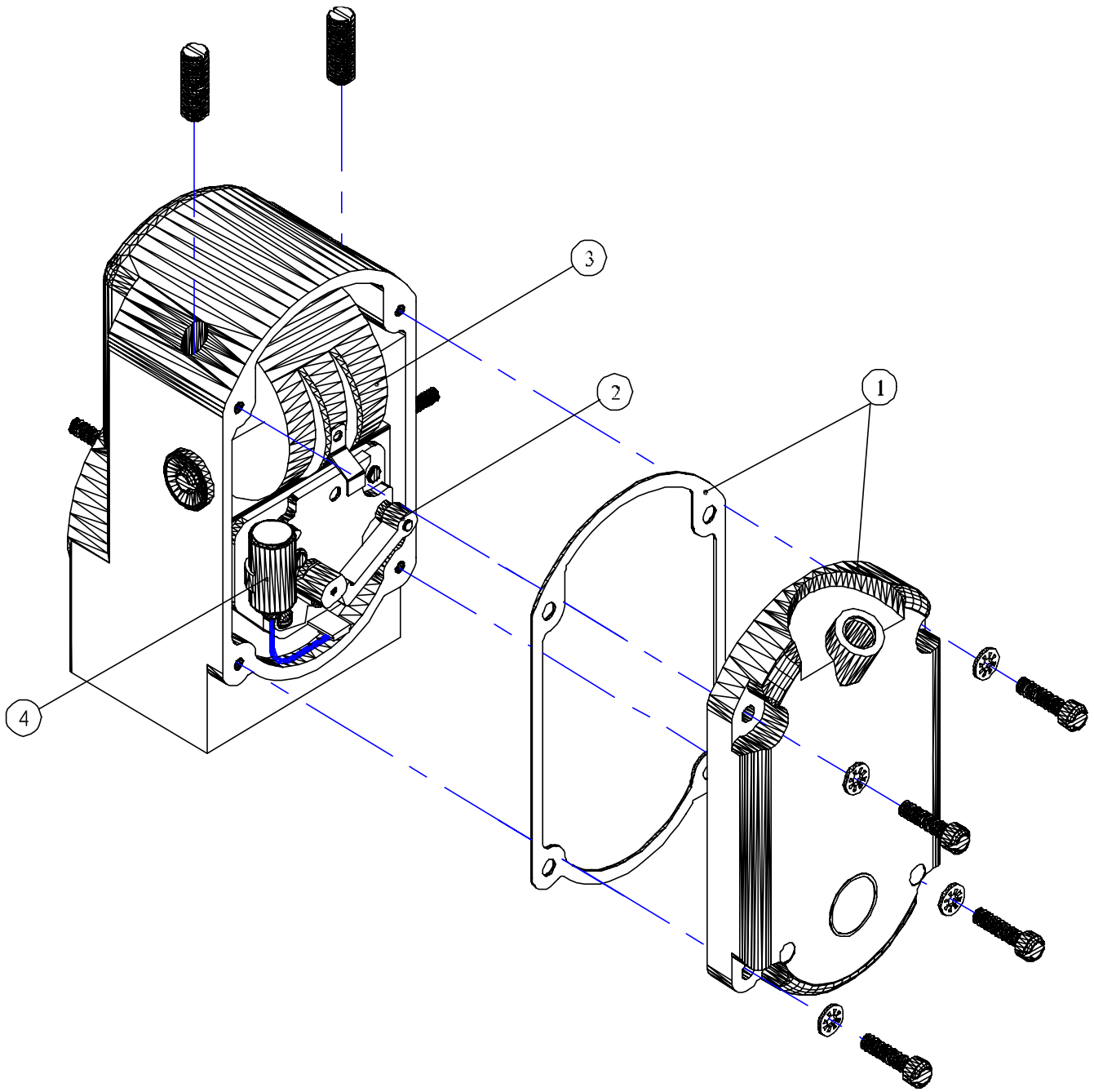
FIGURE 1-4 (Tank, Float, Fitting, JD8245-A, Omp 2040-C Ass'y)





ITEM NO.	QTY.	DESCRIPTION	PART NO.
1	1	MAGNETO, IGNITION, FM, CCW	JD942-A
2	1	BRACKET, MAGNETO, OMP, JB	JP6082-A
3	2	WASHER, LOCK, SPLIT, STEEL, PLATED, 3/8"	JD 613
4	2	SCREW, CAP, HEX, HD, ST, PL, 3/8-16 X 3/4	JD 561
5	1	PULLEY, CRS, SG, 3.17ODX7/16ID-TAPERED	JD3314-A
6	1	NUT, LOCK, STEEL, PLTD, NYLON, INSERT, 3/8-16	JD3726-02
7	1	WIRE, IGNITION, BURNER, MAGNETO, ASSY 34"L	JD3950-M
8	1	WIRE, IGNITION, BURNER, ASSY, 27.5" L GND	JD3950-F

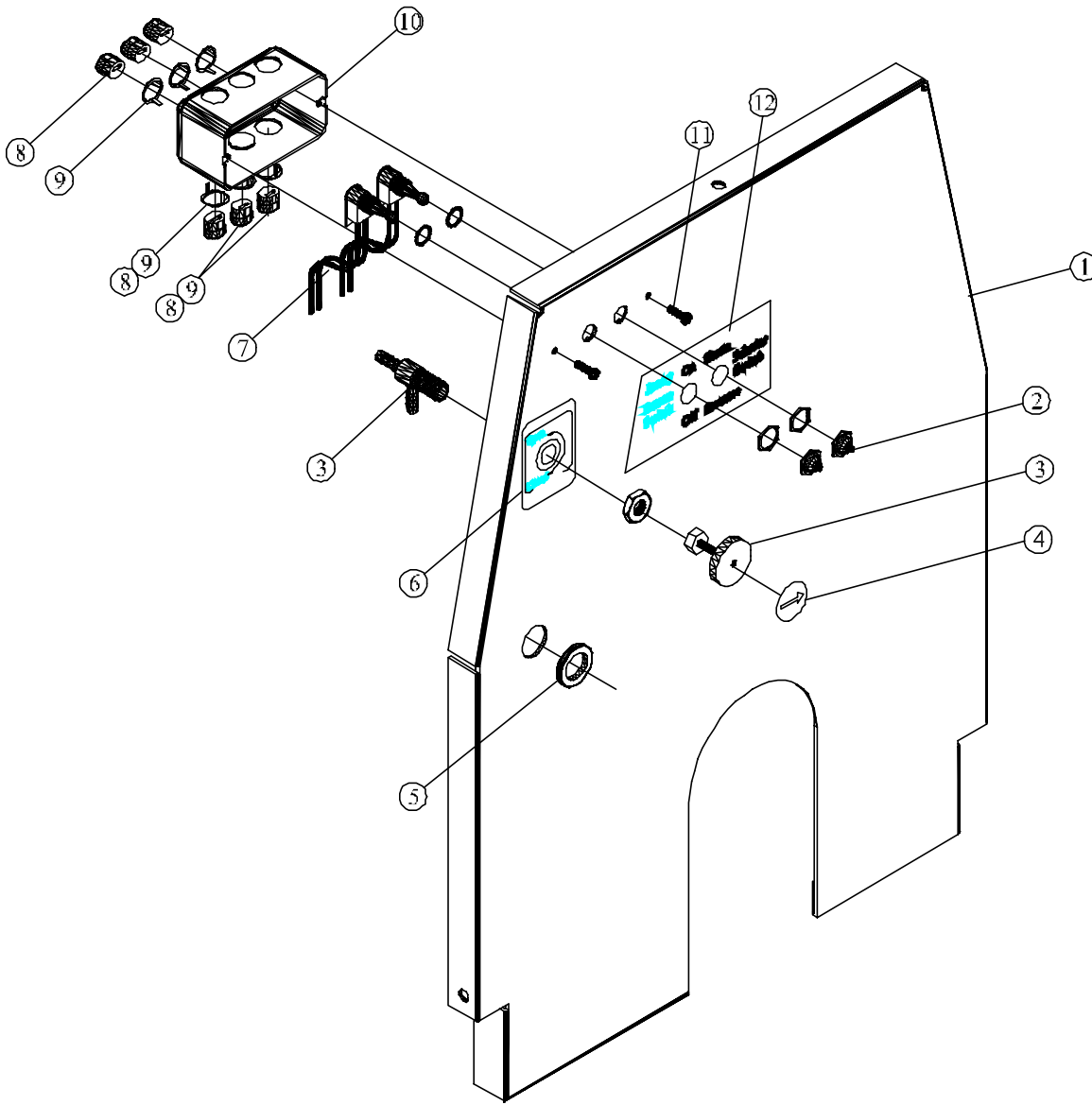
FIGURE 1-5 (Magneto, Ignition Fittings, Omp, Assy)



NOTE: WE ARE USING CCW ROTATION ON THE NEW UNITS W/ GAS ENGINES

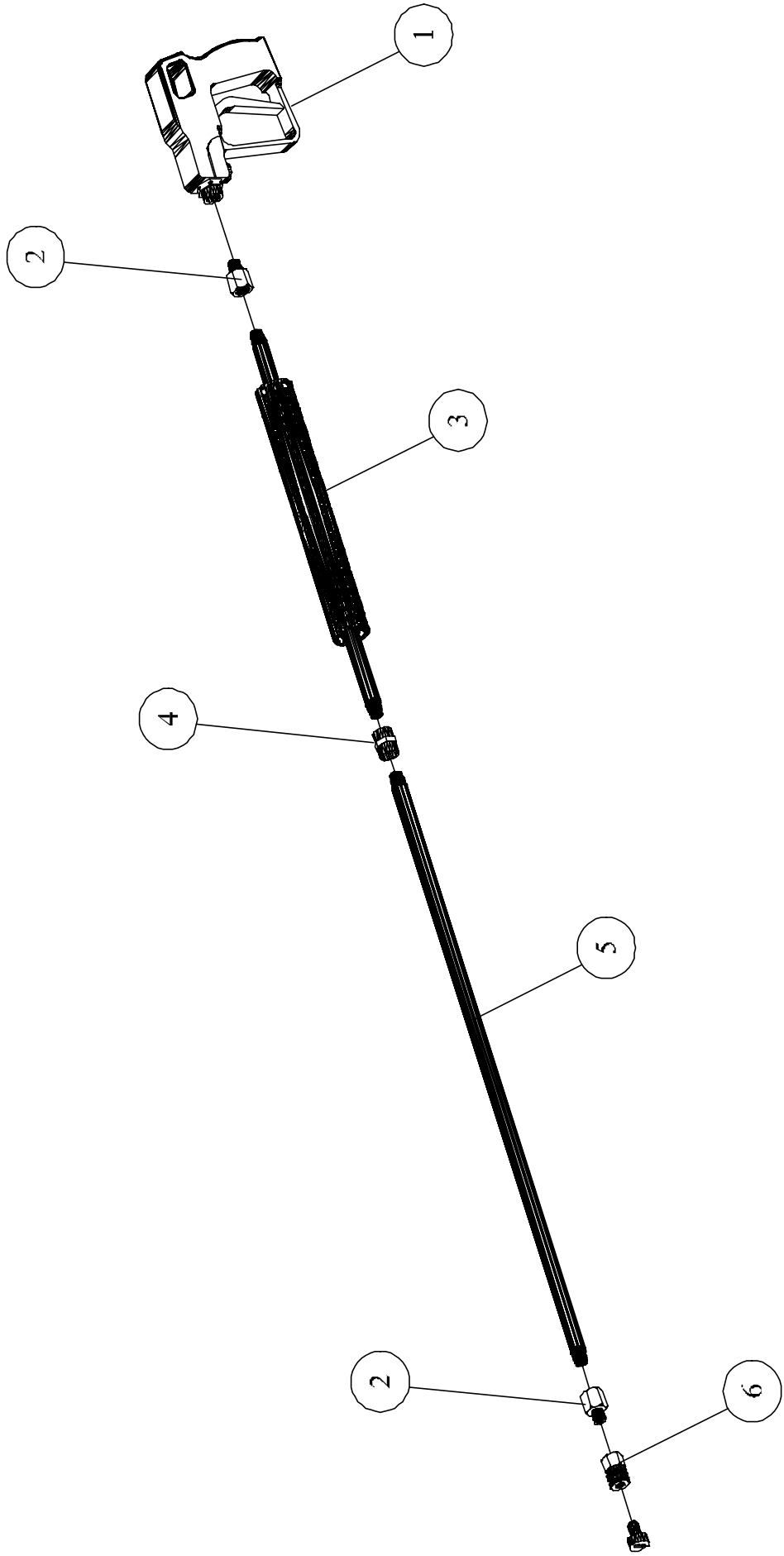
ITEM NO.	QTY.	DESCRIPTION	PART NO.
1	1	COVER, GASKET, MAGNETO, ASSY	JD 942-11
2	1	POINT, CONTACT, MAGNETO, CCW	JD 942-22
3	1	COIL, MAGNETO	JD 942-13
4	1	CONDENSER, MAGNETO	JD 942-14

FIGURE 1-6 (Magneto, Replacement, Parts, JD 942-A Break Down)



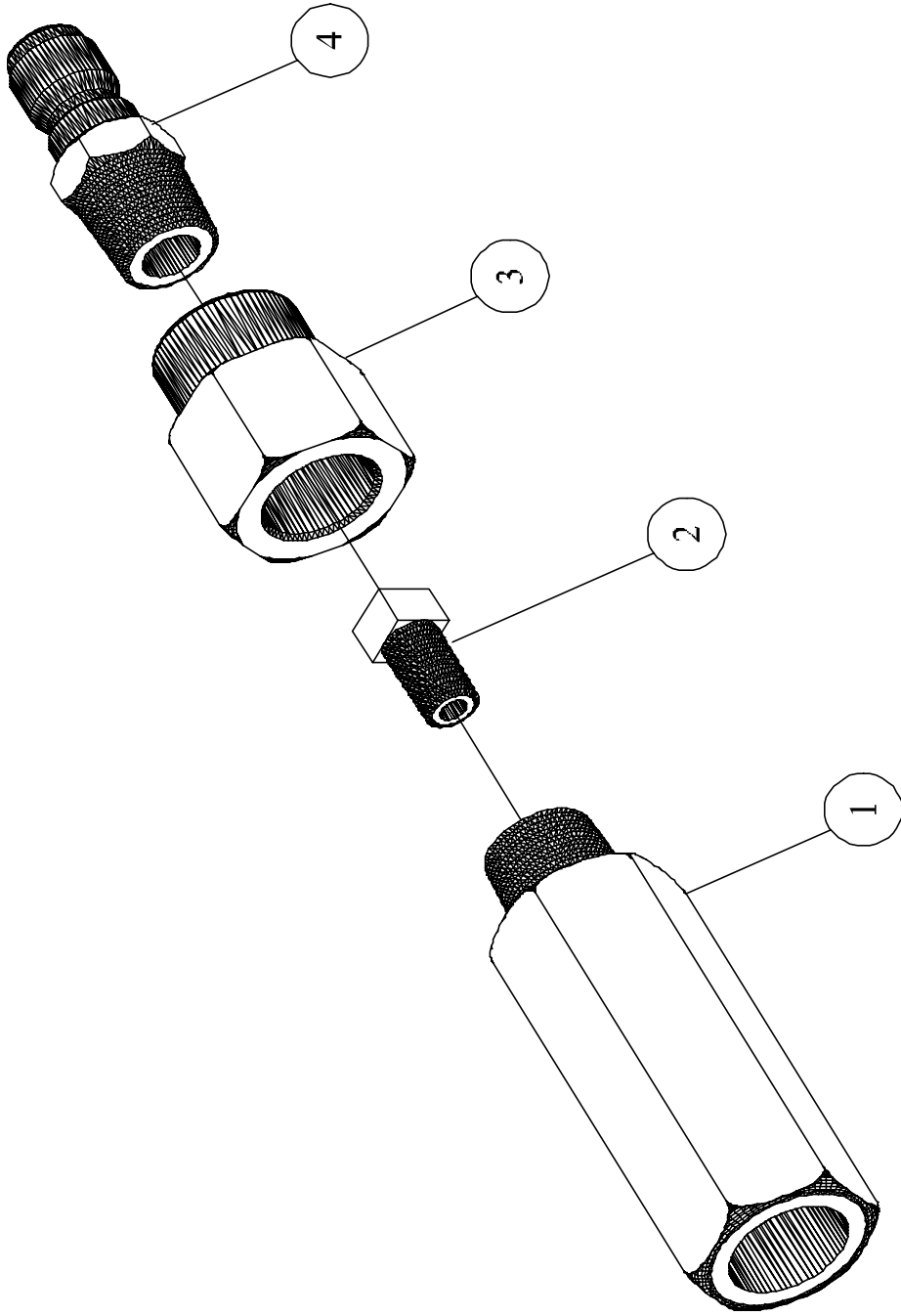
ITEM NO.	QTY.	DESCRIPTION	PART NO.
1	1	PANEL,COVER,FRONT,ST,PAINTED,OMP,CMB,JB	JD8013-A
2	2	BOOT,SEAL,RUBBER,SWITCH,TOGGLE	JD3176
3	1	VALVE,NEEDLE,SOLUTION,BRASS,1/4IDHS-BARB	JD6248-A
4	1	DECAL,INDICATOR,HANDLE,VALVE,SOLUTION	JD7143
5	1	GROMMET,RUBBER,BLACK,5/8" I.D.	JD3385
6	1	DECAL,SOLUTION,METERING,VALVE	JD7821
7	2	SWITCH,TOGGLE,SP,ST,6A@120V	JD2124
8	6	BUSHING,RELIEF,STRAIN,0.32-0.65,7/8	JD3947
9	6	BUSHING,RELIEF,STRAIN,0.37-0.43,7/8	JD3479
10	1	BOX,JUNCTION,NEMA4,2X4X2-1/8,STEEL CITY	JD 961
11	2	SCREW,MACHINE,PHILLIP,ST,PL,6-32X1/2	JD1033
12	1	DECAL,PANEL,INSTRUCTION,ENGINE,GAS,CMB	JD8441

FIGURE 1-7 (Panel, Cover, Front, Fittings Assy, 2040-C OMP)



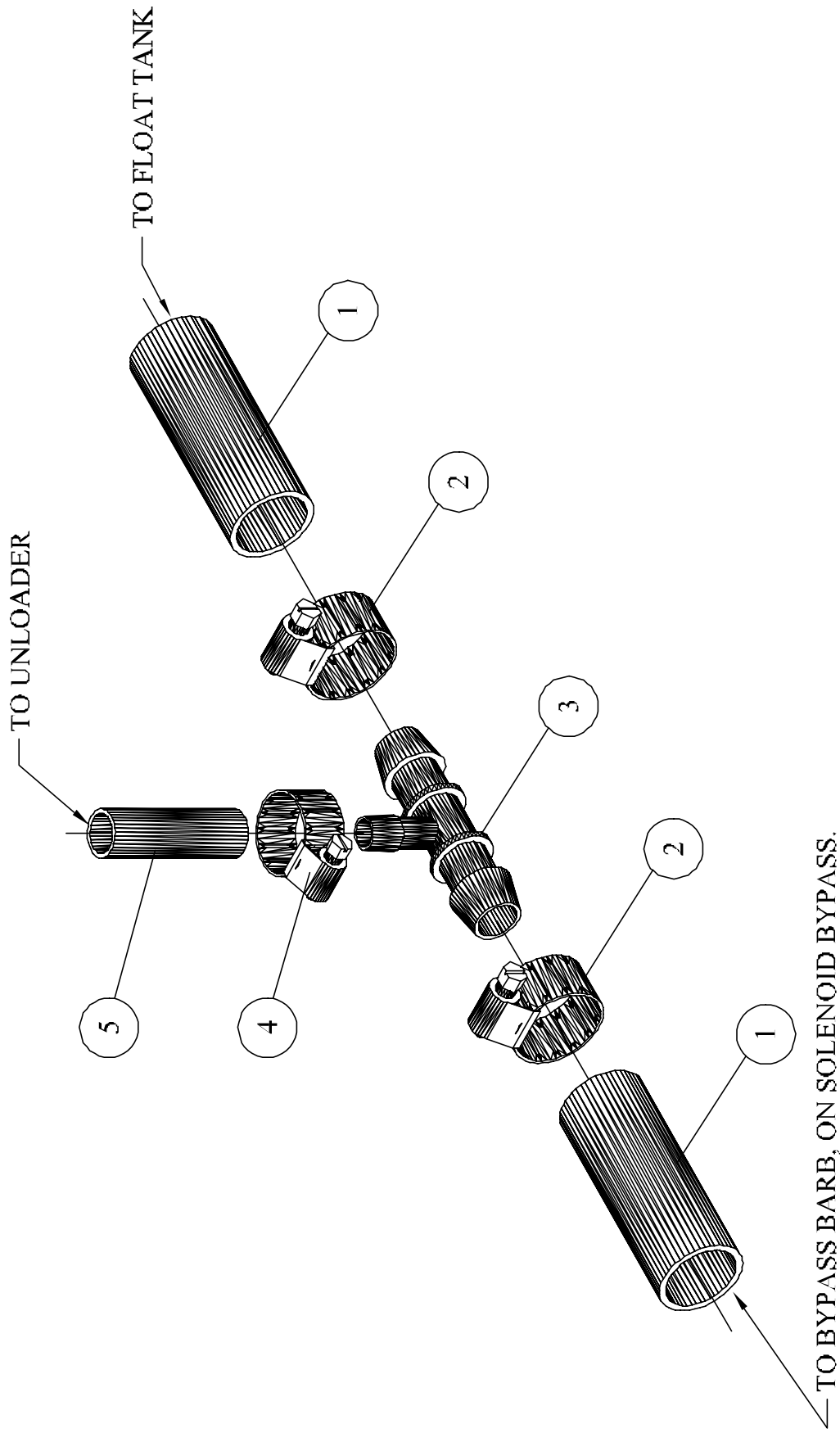
ITEM NO.	QTY.	DESCRIPTION	PART NO.
1	1	GUN, TRIGGER, 5000PSI, 10GPM, 300F	JD6068-B
2	2	ADAPTER, EXPANDING, STEEL, PLATED, 1/4M X 3/8F	JD6224
3	1	HANDLE, PERFORATED, SCH80, STEEL, ASSY, 3/8	JE 280-E
4	1	COUPLING, HEX, STEEL, PLATED, 3/8NPT X 3/8NPT	JD 907-04
5	1	NIPPLE, STEEL, SCH80, 3/8NPT X 28 LONG	JD 963
6	1	SOCKET, QUICK, COUPLING, BRASS, 1/4M X 3/8F	JD3102-02

FIGURE 1-9 (GUN, SCH80, N/C, W/O, SWIVEL, 3/8" JP4261-H, 2040-C ASSY)



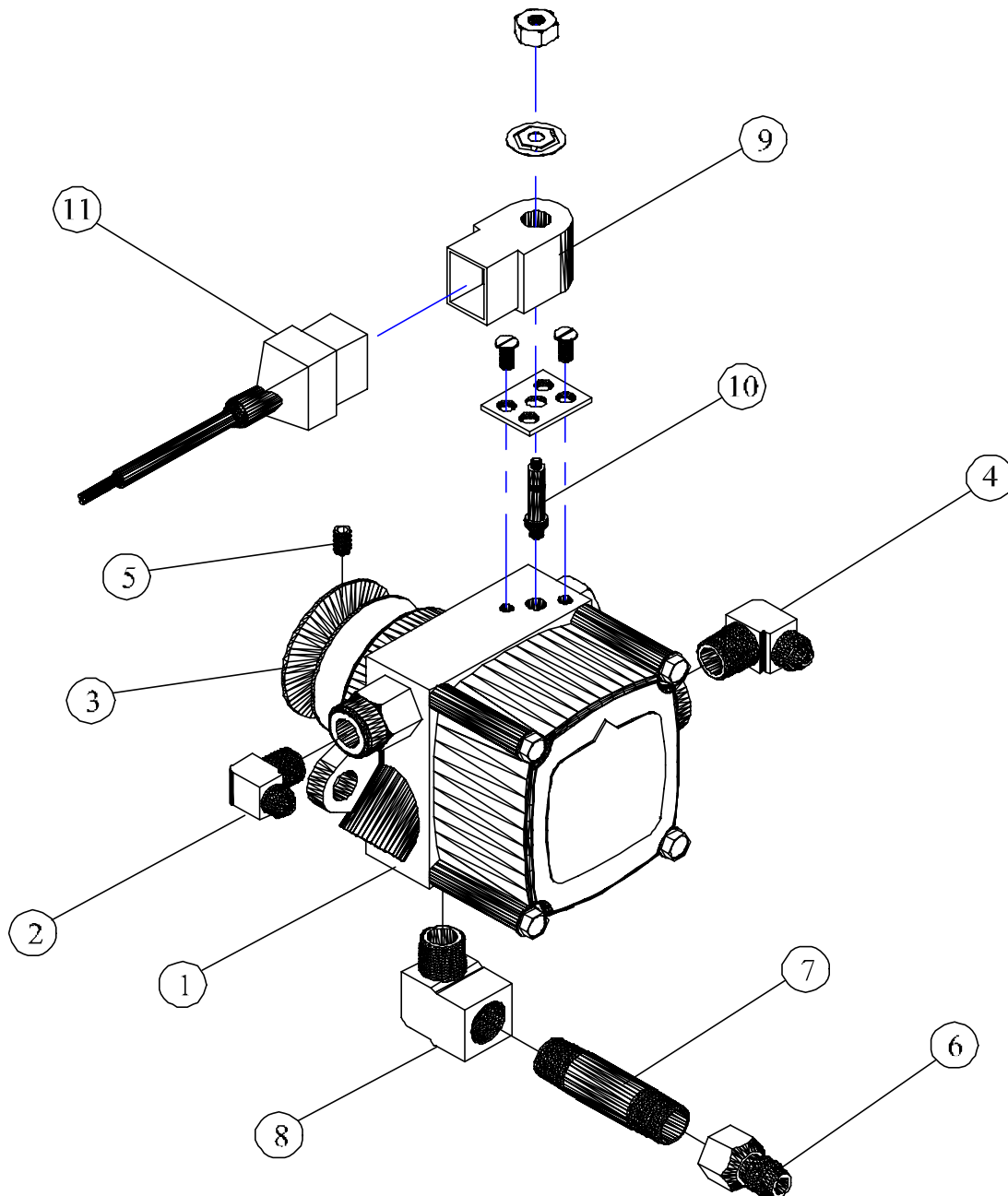
ITEM NO.	QTY.	DESCRIPTION	PART NO.
1	1	NOZZLE, STEAM, 3/4 HEX, STEEL, PLATED, TAPPED	JP3308-B
2	1	ORIFICE, STEAM, SS, #48	JP3175-10
3	1	COUPLING, HEX, BRASS, 3/8NPTF X 1/4 NPTF	JD 920-01
4	1	PLUG QUICK, COUPLING, BRASS, 1/4" NPTM	JD3103-04

FIGURE 1-10 (NOZZLE, STEAM, COMBINATION, FITTING, 2040-C, ASSY)



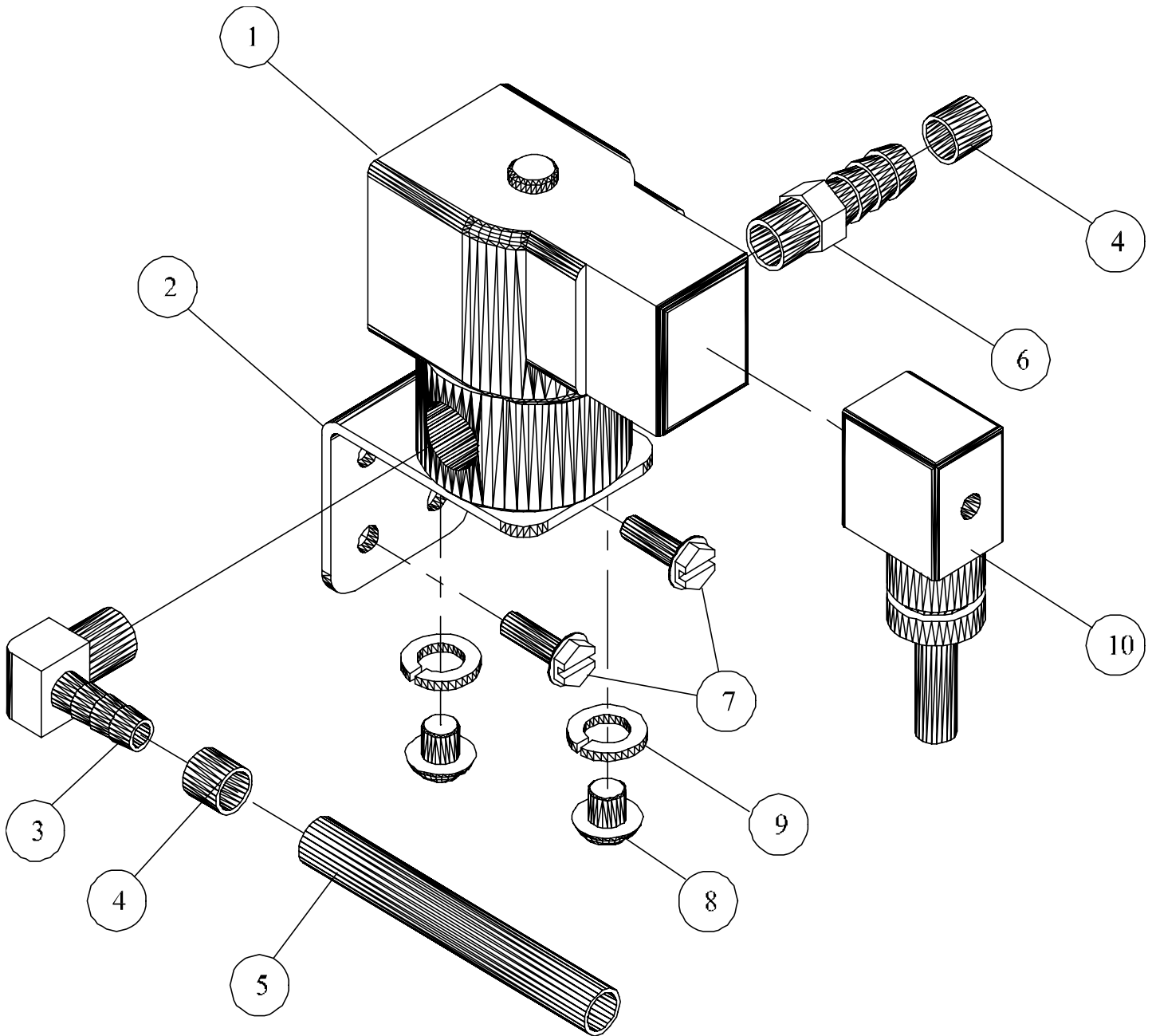
ITEM NO.	QTY.	DESCRIPTION	PART NO.
1	2.5'	HOSE, RUBBER, GARDEN, 5/8"	JL 146
2	2	CLAMP, HOSE, GEAR, WORM, SS, 9/16 TO 1-1/16 DIA	JD1229-A
3	1	TEE, BARB, PLASTIC, 3/8 X 5/8 X 5/8	JD7823
4	1	CLAMP, GEAR, WORM, SS, 7/32 TO 5/8 DIAMETER	JD3068
5	1.2'	TUBING, REINFORCED, PVC, 3/8 I.D.	JD7575

FIGURE 1-11 (COMBINATION, MACHINE, BYPASS, HOSE, FITTING, 2040-C, ASSY)



ITEM NO.	QTY.	DESCRIPTION	PART NO.
1	1	PUMP, OIL, FUEL, SNGLSTGE, 3GPM, 3450RPM, 24V	JD3306-F
2	1	ELBOW, MALE, BRASS, 1/4-45 SAE X 1/8 NPT	JD 651
3	1	PULLEY, CRS, SG, 1-3/4" OD X 5/16" ID (3L BELT)	JD3233-03
4	1	ELBOW, MALE, BRASS, 1/4-45 SAE X 1/4 NPT	JD 652
5	1	SCREW, SET, HEX, SOC, CUP, PNT, NYLK, 8-32X3/16	JD3241
6	1	CONNECTOR, FEMALE, BRASS, 1/4"-45° SAE X 1/4NPT	JD2391
7	1	NIPPLE, BRASS, 1/4 NPT X 2 LONG	JD 745-01
8	1	ELBOW, STREET, BRASS, 1/4 NPT	JD 670
9	1	COIL, SOLENOID, FUEL, 12DC/24VAC, SUNTEC,	JD3306-09
10	1	STEM-ASSY, SOLENOID, PUMP, FUEL, 12/24V	JD3306-08
11	1	CORDSET, VALVE, SOLENOID, FUEL, SUNTEC	JD3306-E

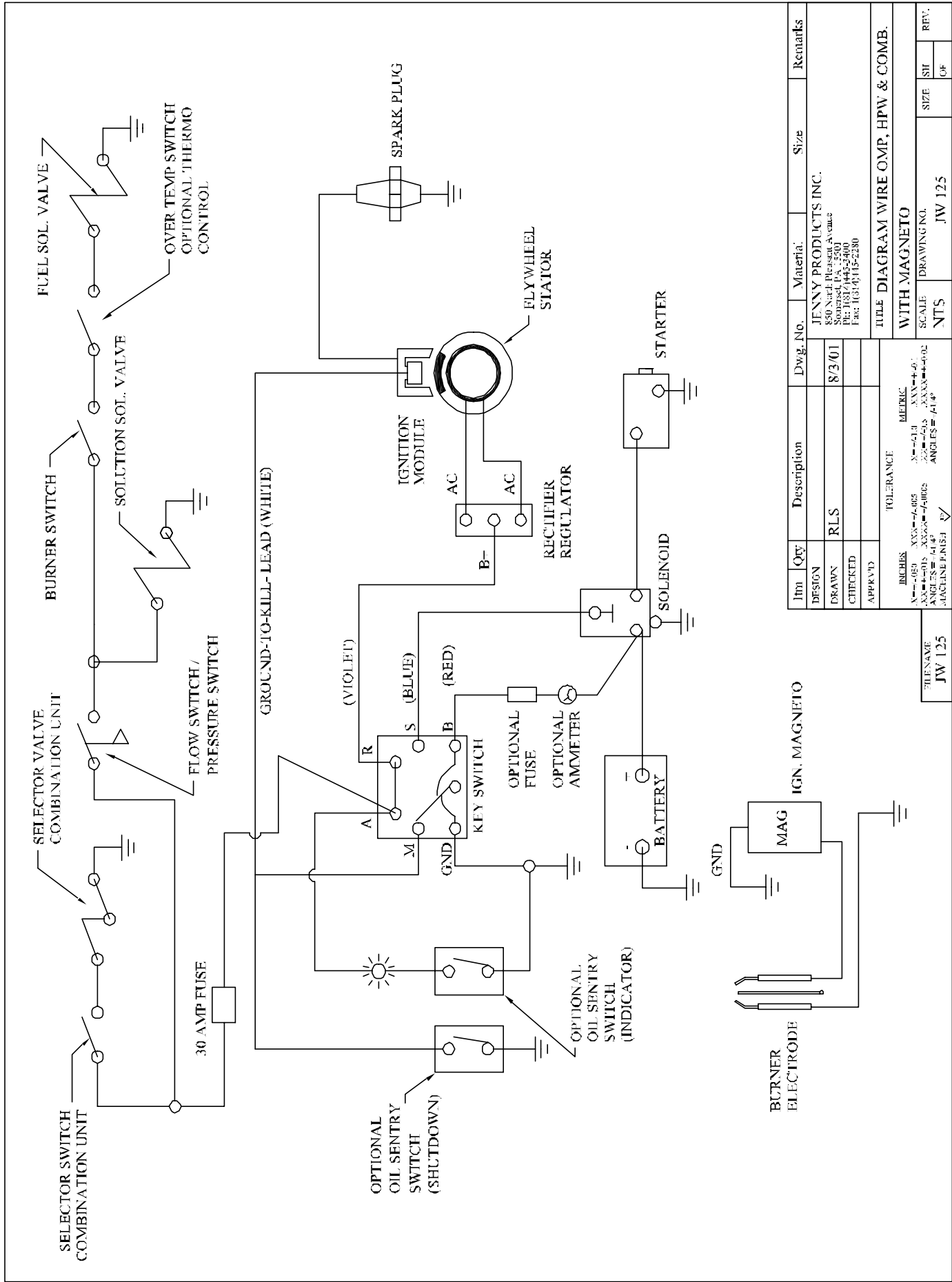
FIGURE 1-12 (PUMP, FUEL, JENNY-BURNER, JP7738, OMP & OEP, ASSY)



ITEM NO.	QTY.	DESCRIPTION	PART NO.
1	1	VALVE, SOLENOID, SOLUTION, 12V, 1/4NPT	JD2162-D
2	1	BRACKET, MOUNTING, SOLUTION, SOLENOID	JD7760
3	1	BARB, HOSE, ELBOW, MALE, BRASS, 1/4HS X 1/4 NPT	JD7078
4	2	CLAMP, SLEEVE, PLASTIC, 3/8 I.D.	JD2759
5	1	TUBING, PVC, CLEAR, 3/8 O.D. X 1/4 I.D.	JD3087
6	1	BARB HOSE 1/4 HS X 1/4 NPT	JD2765
7	2	SCREW, SLF, DRL, HEX WASHER, PLTD, #10 X 5/8	JD7074-A
8	2	SCREW, MACHINE, PHILLIPS, ST, PL, 10-32 X 3/8	JD3234
9	2	WASHER, LOCK, SPLIT, STEEL, PLATED, #10	JD624
10	1	CONNECTOR, SOLENOID, RELIEF, STRAIN, DIN	JD7703

FIGURE 20-1 (VALVE, SOLUTION, SOLENOID, JD2162-D, ASSY)





Item	Qty	Description	Dwg. No.	Material	Size	Remarks
DESIGN						JENNY PRODUCTS INC. 850 North Reesbau Avenue Somerset, PA. 15501 PE: 1131/4432400 FAC: 1131/41152380
DRAWN	RLS		8/3/01			
CHECKED						
APPROVED						
TOLERANCE INCHES: XXXX--+/005    XX--+/0.13    XXX--+/0. ANGLES: 45°    XXXX--+/005    XX--+/0.13    XXXX--+/0.02 DECIMAL FINISH: ✓						
TITLE: <b>DIAGRAM WIRE OMP, HPW &amp; COMB.</b> WITH MAGNETO						
SCALE: NTS			DRAWING NO. JW 125		SIZE: SIT	REV.
					OF	

FILE NAME	JW 125
BURNER ELECTRODE IGN. MAGNETO SOLENOID STARTER RECTIFIER REGULATOR FLYWHEEL STATOR IGNITION MODULE SPARK PLUG OVER TEMP SWITCH (OPTIONAL THERMO CONTROL) FUEL SOL. VALVE SOLUTION SOL. VALVE BURNER SWITCH SELECTOR VALVE COMBINATION UNIT FLOW SWITCH / PRESSURE SWITCH GROUND-TO-KILL-LEAD (WHITE) KEY SWITCH OPTIONAL OIL SENTRY SWITCH (SHUTDOWN) OPTIONAL OIL SENTRY SWITCH (INDICATOR) BATTERY 30 AMP FUSE SELECTOR SWITCH COMBINATION UNIT	