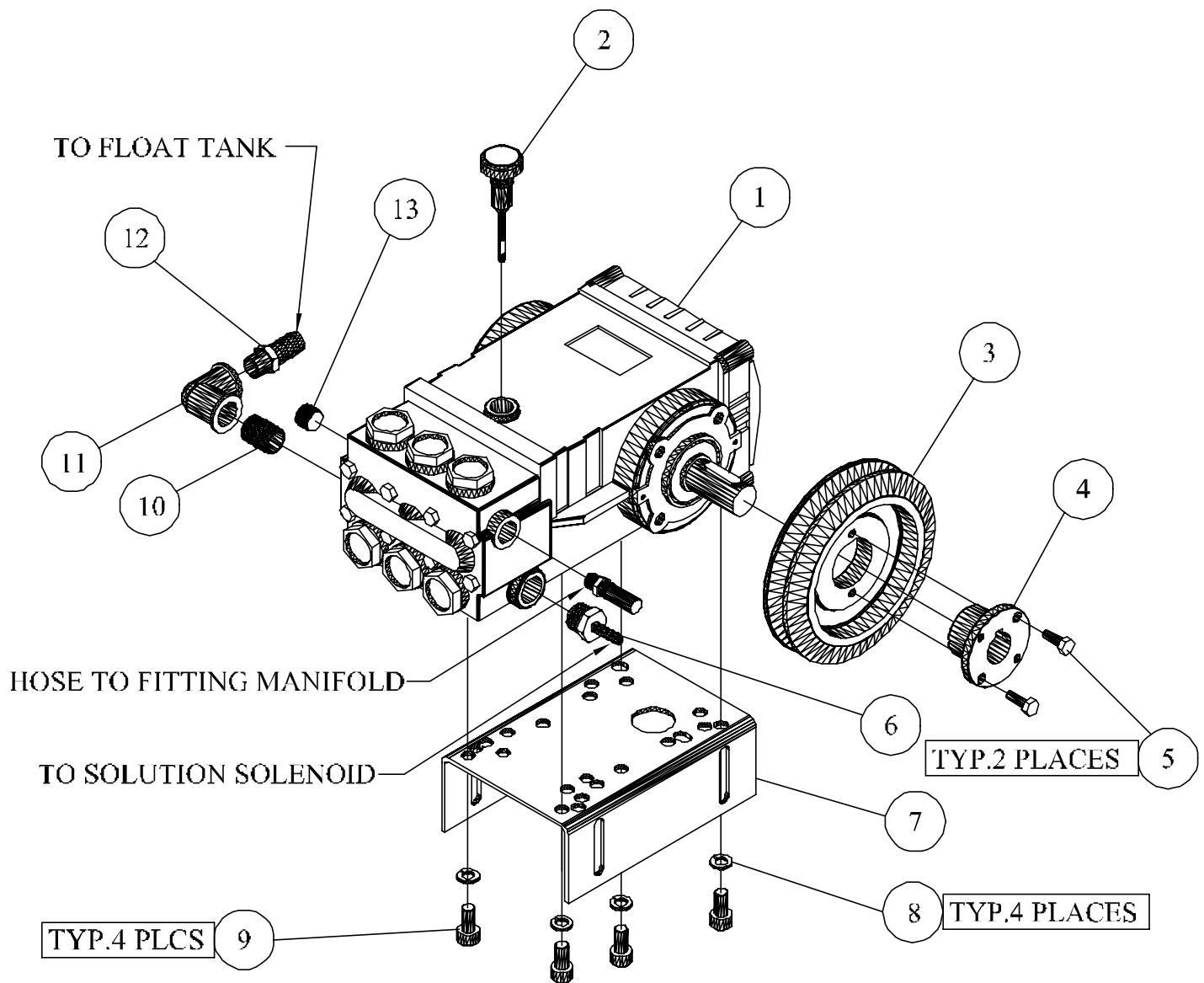


Jenny Products Inc.
 1550-C OEP, 230V/60HZ/1PH. N/C, JB

1550-C, OEP, N/C, JB 115V/60/IPH			
PARTS LIST			
Notes: Figure 20- (Common Parts)			
Electrical Dia. Files Jw 101 W/			
3PH Jw 102			
ITEM NO.	DESCRIPTION	QTY.	PART NO.
1	CHASSIS, CHANNEL, MAIN, ST, PAINTED, OIL FIRED	1	JD8000
2ASSY SEE FIG 1-10	BLOWER, AIR, ASSY, 6" OD X 4" W X 1/2" SHAFT	1	JB2000
3ASSY SEE FIG 1-2	BURNER, GUN, OIL, DOUBLE, ELECTRODE	1	JB1000
4ASSY SEE FIG 1-4	TANK, FLOAT, ASSY, W/FITTING, CMB, 1550-C, OEP	1	JD8245-E
5	TANK, FUEL, BOLT-ON, STEEL, PAINTED, 13.3 GALLON	1	JD8020
6	CASING, COIL, BOLT-ON, STEEL, PAINTED, LARGE	1	JD8002
7	GROMMET, RUBBER BLACK, 1-1/2 I.D.	2	JP 675
8	DISC, INSULATION, CERAMIC, 14-3/8 OD X 4-1/8 X 3/8	1	JD7238-A
9	COIL, OIL, FIRED, 3/8" PIPE, SCH40	1	JP2610
10	POT, FIRE, S.S.	1	JL 133
11	CORD SET, VALVE, SOLENOID, FUEL, SUNTEC	1	JD3306-E
12	TEE, FEMALE, STEEL, PLATED, 3/8NPT	1	JD3971
13	THERMOSTAT, IMMERSION, SP, ST, NC, 340 DEG F	1	JD7137-A
14	TEE, BARB, PLASTIC, 3/8 X 5/8	2	JD7823
15	HOSE, FUEL, ASSY, 1/4" X 42" L, HPW	2	JD8246
16	DECAL, DANGER, WARNING, CAUTION, LARGE	1	JD7239
17	TUBING, PVC, REINFORCED, 3/8" I.D.	0.833	JD7575
18	HOSE, RUBBER, GARDEN, 5/8	6'	JL 146
19ASSY SEE FIG 1-1	PUMP, MOUNTING, FITTING, ASSY, 1550-C, GEN	1	JD8304-A
20ASSY	PANEL, COVER, REAR, STEEL, PAINTED, NS	1	JD8006
21-A	WIRE, SJO, CPE, BLACK, 10/3	2.5	JE 446
21-B	WIRE,SO,CPE,BLACK,12/4	2.5	JE 433
22	CONNECTOR, RELIEF, STRAINER, 5/8-3/4, 3/4 NPTM	1	JD1687-17
23	BELT VEE, COG, 4L220	1	JD3792
24	PULLEY, CRS, SG, 2.2" OD X 1/2" I.D.	1	JD7835
25	BELT, VEE, COG, BX41	1	JD3959-06
26	BUSHING, PULLEY, TAPERED, 1-1/8" BORE	1	JD3915-04
27	PULLEY, CI, DG, TH, 2BK47H, 3.7 PDA, 4.1PDB	1	JD3904-05
28ASSY SEE FIG 1-3	MANIFOLD, FITTING, VALVE, 1550-C, ASSY, OEP	1	JD8238
29	WIRE, IGNITION, BURNER, ASSY, 50000V	2	JD8247
30	MOLDING, RUBBER, FOAM, ADHESIVE, 1/2WX1/8T	1	JD3782-B
31ASSY SEE FIG 1-5	BOX, JUNCTION, PANEL, FRONT, 230-575/3PH, 30A	1	JE2002
32ASSY SEE FIG 1-6	PLATE, COVER, PANEL, CONTROL, BOX, JNCT, CMB	1	JD8009-A
33	DECAL, PANEL, INSTRUCTION, 1550-C, OEP	1	JD8419
34-A	MOTOR, 5HP, 230/60/1, 1725RPM, TEFC, F2	1	JB3012
34-B	MOTOR, 5HP, 230-460/60/3, 1725RPM, TEFC,F2	1	JB3013
34-C	MOTOR, 5HP, 575/60/3, 1725RPM, TEFC, F2	1	JB3014
34-D	MOTOR,5HP,200/60/1,1725RPM,TEFC,F2,	1	JB3012-B
35	CASTER, SWIVEL, W/BRAKE, 5" DIA X 2" FACE	1	JD3217-01
36	CASTER, SWIVEL, W/OUT/BRAKE, 5" DIA X 2" FACE	1	JD3217-02
37	AXLE, CHASSIS, STEEL, PLATED, 3/4" OD X 24" O/L	1	JD8010
38	WHEEL, PNEUMATIC, 10" O.D. X 3/4 I.D., BALL BEARING	2	JP2643-F
39	COLLAR, SCREW, SET, STEEL, PLATED, 3/4" I.D.	2	JD7777
40	CORD, DROP, GFCI, 240V, 30A, 40FT, 1 PH ONLY	1	JD7179-F
41	RETAINER, SCREW, PHILLIPS, HEAD, "N"	6	JP7733-02
42	HOSE, HYD, 3K, PSI, 17" L, 3/8NPTM, 3/8NPTM	1	JD7817
43	HOSE, HYD, 3K, PSI, 21" L, 3/8NPTF, 90D-3/8NPTM	1	JD7829
44	TUBING, PVC, CLEAR, 3/8, O.D.X1/4ID	1.5	JD3087
45	STRAINER, CHEMICAL, BRASS, 1/4" HOSE BARB	1	JD7140-A

46	RING, CASING, COIL, SS, 7-15/16 I.D.	1	JD2140-B
47	COVER, SS, ASSY, OEP, NEW, JB, MACH	1	JD8248
48	RECEPTICAL, CLIP-ON, STEEL, DACROTIZED	6	JP7733-01
49	DECAL, NUMBER, MODEL, 1550, BLUE, LARGE 1550-C	2	JD8469
50	SCREW, SLF, TAP, PHILLIP, ST, PL, 8-32 X 3/8	10	JD3043
51	SCREW, SLF, DRL, HEX, WASHER, PLTD, #10 X 5/8	7	JD7074-A
52	SCREW, FLANGE, HEX, SERR, ST, PL, 1/4-20 X 1/2	12	JD7904-A
53	SCREW, FLANGE, HEX, SERR, ST, PL, 5/16-18 X 1/2	10	JD7905
54	SCREW, FLANGE, HEX, SERR, ST, PL, 5/16-18 X 3/4	4	JD7905-B
55	DECAL, NOTICE, GROUND, 4MILKTHK, SYRWHT	1	JD2344-01
56	NIPPLE, STEEL, SCH80, 3/8NPT X 2-3/4 LONG	1	JD 968
57	SCREW, CARRIAGE, GR5, ST, PL, 3/8X6	2	JD7798
58	SCREW, SLF, TAP, HEX, WASHER, PLATED, 10-32X 1/2	1	JD6219
59	NUT, LOCK, FLANGE, HEX, SERR, STEEL, PLATED, 5/16-18	4	JD7774-E
60	NUT, LOCK, FLANGE, HEX, SERR, ST, PL, 3/8-16	6	JD7774-F
61	CLAMP, HOSE, GEAR, WORM, SS, 9/16 TO 1-1/16 DIA.	4	JD1229-A
62	CLAMP, GEAR, WORM, SS, 7/32 TO 5/8 DIAMETER	2	JD3068
63	CLIP, SEPARATOR, WIRE, IGNITION, 7MM, 2-WIRE	4	JD7831
64	CLIP, SEPARATOR, WIRE, IGNITION, 7MM, 3-WIRE	2	JD7832
65	SCREW, CAP, HEX, HD, ST, PL, FLT, 3/8-16 X 2-1/4	2	JD7035
66	FILTER, OIL, FUEL, W/HEAD, 3/8NPT	1	JD2117
	FILTER, OIL, FUEL, CARTRIDGE, SPIN-ON, REPLACEMENT	1	JD2117-01
67	CONNECTOR, MALE, BRASS, 1/4-45 SAE X 3/8 NPT	1	JD1277
68	CONNECTOR, MALE, BRASS, 1/4-45 SAE X 1/4 NPT	1	JD 659
69	CLAMP, SLEEVE, PLASTIC, 3/8 ID	4	JD2759
70 ASSY SEE FIG 1-7	GUN, SCH80, N/C, W/O, SWIVEL, ASSY, 3/8", COMB	1	JP4261-H
71	NOZZLE, SPRAY, PSI, SS, QCK, CON, 0 DEG, O # 8.0	1	JD7755-08
72	NOZZLE, SPRAY, PSI, SS, QCK, CON, 15DEG, O # 8.0	1	JD7756-08
73	NOZZLE, SPRAY, PSI, SS, QCK, CON, 25 DEG, O # 8.0	1	JD7757-08
74	NOZZLE, SPRAY, PSI, SS, QCK, CON, 40 DEG, O # 8.0	1	JD7758-08
75 ASSY SEE FIG 1-8	NOZZLE, STEAM, COMB., FITTING, 1550-C, OEP, ASSY	1	
76 ASSY SEE FIG 20-1	VALVE, SOLENOID, SOLUTION, 24V, 1/4NPT	1	JD2162-F
77	HOSE, COMBINATION, JENNY, 3/8 X 50'	1	JD7624
78	DECAL, NAMEPLATE, OIL, FIRED	1	JD6251-05
79	DECAL, CLEAR, MYLAR	1	JD6251-08
80	CLAMP, HOSE, NYLON, BLACK, .875/1.000 DIA	2	JD7859-G
81	CAP, FILLER, FUEL, STEEL, PLATED, 1/4 TURN	1	JD3174
82	PLUG, HEAD, SOCKET, HEX, STEEL, PLATED, 3/4" NP	1	JD 877
83	TUBING, COPPER, ASSY, BURNER, F. PUMP-SOL, JB	1	JD1722-U
84	GROMMET, RUBBER, BLACK, 7/16" I.D.	5	JD3385-01
85	GROMMET, RUBBER, BLACK, 5/8" I.D.	1	JD3385
86	SCREW, PHILLIPS, HEAD "N", COVER	6	JP7733
87	SCREW, FLANGE, HEX, SERR, ST, PL, 3/8-16 X 3/4	4	JD7906-A
NOT SHOWN	TAG, WARNING, ELECTRIC, CORD	1	JD7075
NOT SHOWN	DECAL, PACKED, GROOMED, TESTED	1	JD6013
NOT SHOWN	DECAL, MADE-IN-THE-USA, JENNY	1	JD6211
NOT SHOWN	TAG, TESTED, FUEL	1	JD7196-01
NOT SHOWN	DECAL, FUEL, OIL, MYLAR, BLUE, 1" X 4"	1	JD2345



ITEM NO.	QTY.	DESCRIPTION	PART NO.
1	1	PUMP, PLUNGER, TRIPLEX, 3000PSI, 5.6GPM, GEN	JD7063
2	1	OIL, DIP, STICK, (RECEIVED W/PUMP)	
3	1	PULLEY, CLSG, TH, BK62H, 5.2PDA, 5.6PDB	JD3904-14
4	1	BUSHING, PULLEY, TAPERED, 24MM BORE	JD3915
5	2	H.H.B. 1/4-20 UNC-3/4 CLASS 5 RECEIVED W/BUSHING	
6	1	BARB, HOSE, MALE, BRASS, 1/4 HS X 1/2 NPTM	JD7826
7	1	PLATE, MOUNTING, PUMP, STEEL, PAINTED	JD8016
8	4	WASHER, LOCK, SPLIT, STEEL, PLATED, 3/8"	JD 613
9	4	METRIC RECEIVED W/ PUMP	
10	1	NIPPLE, BRASS, 1/2NPT X 1-1/2 LONG	JD3094-01
11	1	ELBOW, FEMALE, BRASS, FORGED, 1/2NPT	JD 692-02
12	1	BARB, HOSE, MALE, BRASS, 5/8HSX1/2NPT	JD7877
13	1	PLUG, SOCKET, HEX, BRASS, 3/8NPT	JD7151

FIGURE 1-1 (Pump, Mounting, Fitting, JD8303-A, 1550-C OEP, Assy)

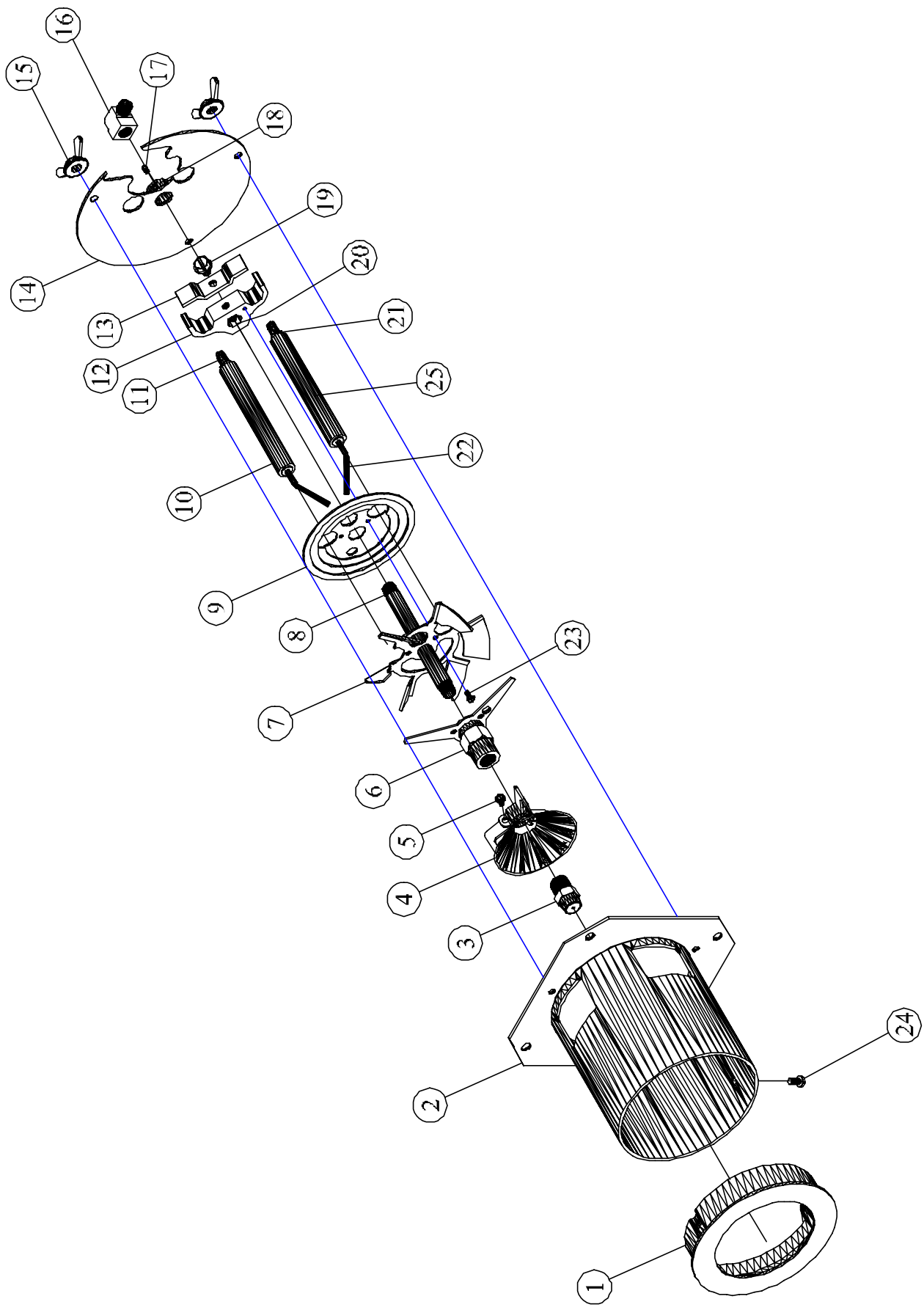
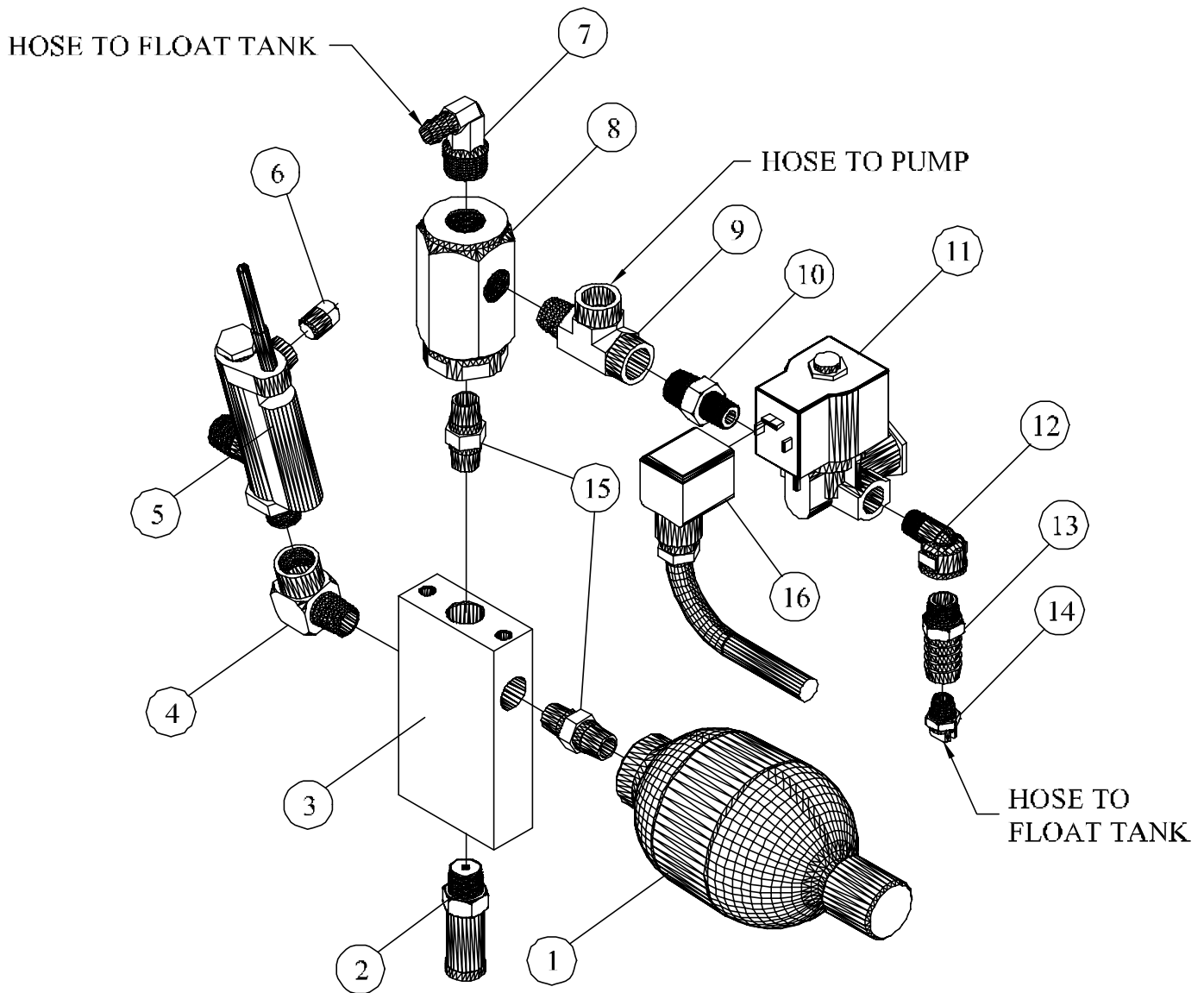


FIGURE 1-2 (Burner, Gun, Oil, Double, Electrode JB1000, 1550-C OEP, Assy)

1550-C, OEP
BURNER, GUN, OIL, DOUBLE, ELECTRODE
JB1000, ASSY

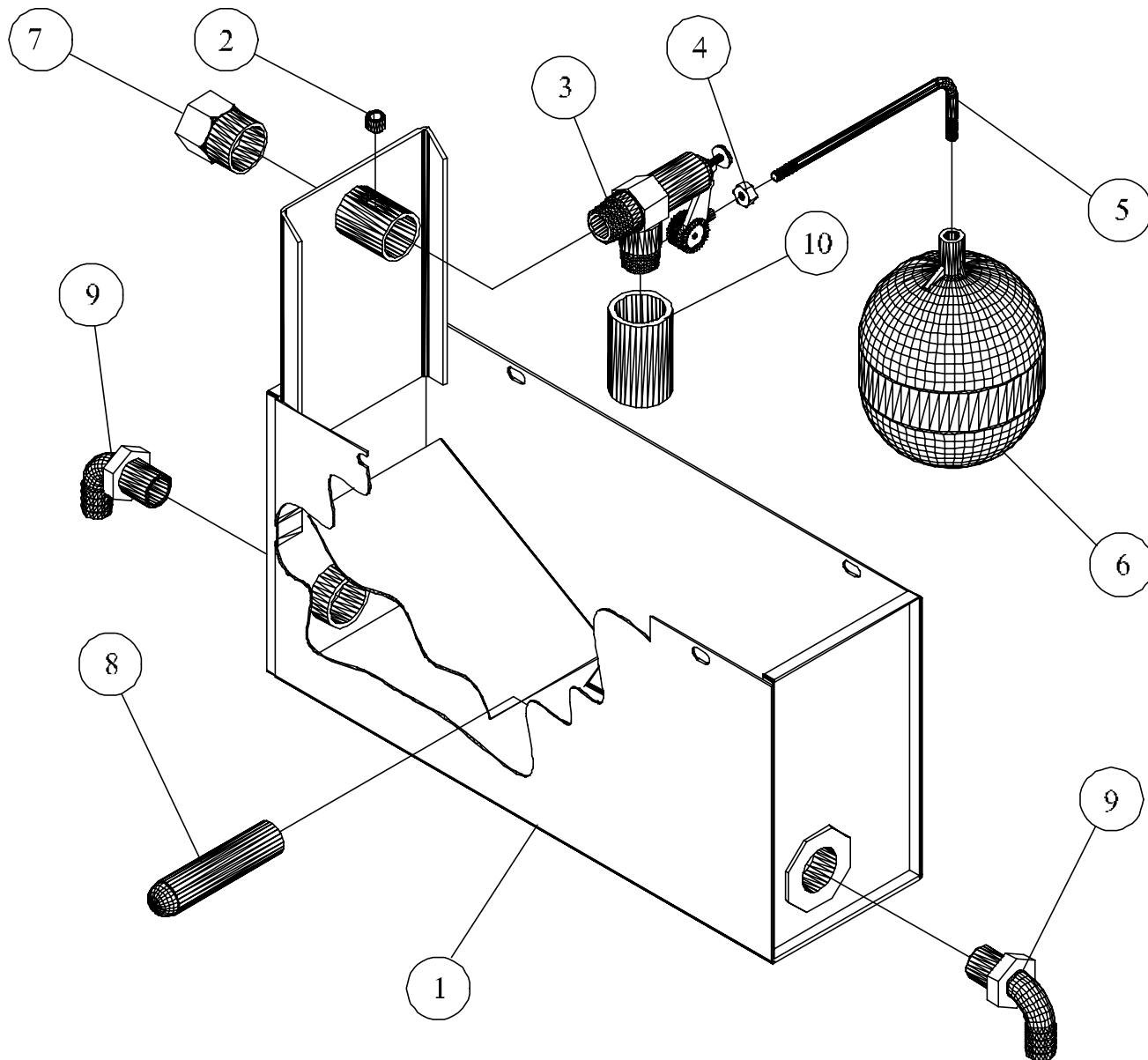
9/27/2001

ITEM NO.	DESCRIPTION	QTY.	PART NO.
1	CONE, AIR, MI, 4.0 O.D. X 3.0 I.D. X .875 LONG	1	JB1002
2	TUBE, AIR, STEEL, 4.25 O.D. X 4.0 I.D. X 4.50 LONG ASSY	1	JB1001
3	NOZZLE, BURNER, OIL, 2.25GPH, 80 DEG, S.C.	1	JB1511
4	FLAME LOCK, STAINLESS, 10 VANE, 2.5" CONE	1	JB1007
5	SCREW, SELF TAP, HEX, WASH, STEEL, PLATED, 6-32 X 3/8	1	JB1014
6	ADAPTER, NOZZLE, BRASS, W/LEG, SUPPORT	1	JB1006
7	WHIRLER, STEEL, PLATED, 6 VANE, 3-11/16 O.D.	1	JD1010
8	NIPPLE, STEEL, SCH40, 1/8" NPT X 4" LONG	1	JB1004
9	PLATE, STEEL, PLATED, DISC, SOLID, 3-3/8 O.D.	1	JB1009
10	INSULATOR, ELECTRODE, CERAMIC, GLAZED, 4"	2	JB1015-01
11	CONNECTOR, SPARK PLUG, RAJAH, 100734-002	2	JB1015-04
12	SUPPORT, ELECTRODE, ALUMINUM	1	JB1008
13	CLAMP, ELECTRODE, STEEL, 13 GA. X .5 X 2.0	1	JB1011
14	PLATE, BURNER, STEEL, 14 GA X 5.25 DIAMETER	1	JB1003
15	NUT, WING, STEEL, FORGED, PLATED, 10-24	3	JD2186
16	ELBOW, FEMALE, BRASS, 1/4-45 SAE X 1/8 NPTF	1	JB1018
17	SCREW, SET, HEX, CUP POINT, NYLK, 1/4-20X1/4	1	JE 895
18	COLLAR, STEEL, .875 O.D. X .437 I.D. X .437 LONG	1	JB1005
19	SCREW, MACHINE, HEX, WSHR, ST, PLATED, 10-24 X 5/16	1	JB1013
20	SCREW, SET, HEX, CUP POINT, 10-24 X 1/4	1	JB1012
21	NUT, LOCK, FLANGE, HEX, ST, PL, #6-32	2	JB1015-03
22	ELECTRODE, BENT RADIUS, TUNGSTEN	2	JB1015-02
23	SCREW, SELF TAP, HEX WASH, ST, PL, 4-40 X 3/8	1	JB1016
24	SCREW, MACHINE, PHILLIPS, ST, PL, FL, 8-32 X 3/8	1	JB1017
25	ELECTRODE, ASSY, COMPLETE	2	JB1015



ITEM NO.	QTY.	DESCRIPTION	PART NO.
1	1	ACCUMULATOR, BLADDER, 3000#WP, 700# CHARGE	JD7646-G
2	1	VALVE, RELIEF, 1200-2400PSI, 160F, 3/8NPTM	JD7048-C
3	1	MANIFOLD, FITTING, STEEL, PLATED, ALL, UNITS	JP7716
4	1	ELBOW, STREET, STEEL, PLATED, 3/8NPT	JD3717-03
5	1	SWITCH, FLOW, SP, ST, NO, 20VA, 3/8NPTM	JD7279
		REPLACEMENT, REED, SWITCH, ASSY W/47" LEAD	JD7279-01
6	1	PLUG, HEAD, SQUARE, BRASS, 1/4NPT	JD 679-02
7	1	BARB, HOSE, ELBOW, MALE, BRASS, 3/8HS X 1/2NPT	JD7150-01
8	1	VALVE, UNLOADER, FLUI-TROL, C2500	JV2500
9	1	TEE, STREET, STEEL, PLATED, 3/8NPT	JD 860-02
10	1	NIPPLE, HEX, STEEL, PLATED, 1/4NPTM X 3/8NPTM	JD 732-03
11	1	VALVE, SOLENOID, BYPASS, 24V, 1/4NPT	JD3063-E
12	1	ELBOW, REDUCER, BRASS, STREET, 90DEG, 3/8FX1/4M	JD7825
13	1	BARB, HOSE, MALE, BRASS, TAPPED 1/4, 5/8HS X 3/8	JP6898
14	1	NOZZLE, SPRAY, PSI WASH, SS, 1/4MEG-2512	JD6193
15	2	NIPPLE, HEX, STEEL, PLATED, 3/8NPT X 3/8 NPT	JD3716-01
16	1	CONNECTOR, SOLENOID, RELIEF, STRAIN, DIN	JD7703

FIGURE 1-3 (Manifold, Valve, Fitting, JD8238, 1550-C, Ocp Ass'y)



ITEM NO.	QTY.	DESCRIPTION	PART NO.
1	1	TANK, FLOAT, BOLT-ON, JB	JD8015
2	1	PLUG, SOCKET, HEX, BRASS, 1/8NPT	JD7243
3	1	VALVE, FLOAT, BRASS, 60PSI, 1/2"NPTM	JD2988-B
4	1	NUT, HEX, STEEL, PLATED, 1/4-20	JD 791
5	1	ROD, FLOAT, BENT, BRASS, 1/4 X 5-5/8 LG X 1/4-20	JD1416-02
6	1	BALL, FLOAT, PLASTIC, BLACK	JD1416-01
7	1	CONNECTOR, BR, 3/4 GARDEN HOSE X 1/2 NPTM, SWIV	JD7142
8	1	STRAINER, WATER, SS, 30 MESH, 47/64 O.D. X 3-1/8 LG	JD3843-B
9	2	ELBOW, BARB, HOSE, MALE, PLASTIC, 5/8 HS X 3/4 NP	JD3663
10	.166'	HOSE, RUBBER, BLACK, 3/4	JE 558

FIGURE 1-4 (Tank, Float, Fitting, JD8245-E, 1550-C Ass'y)

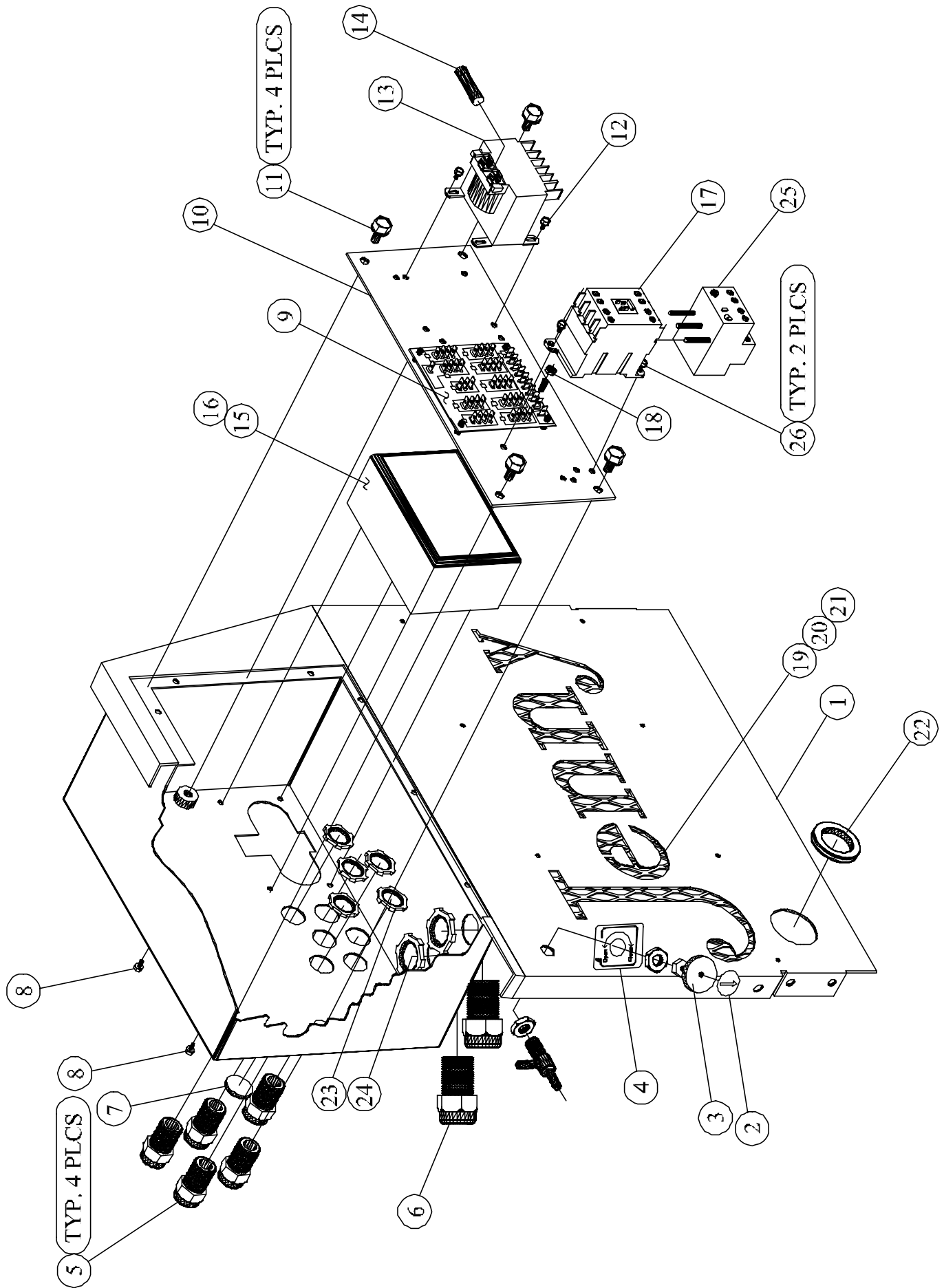
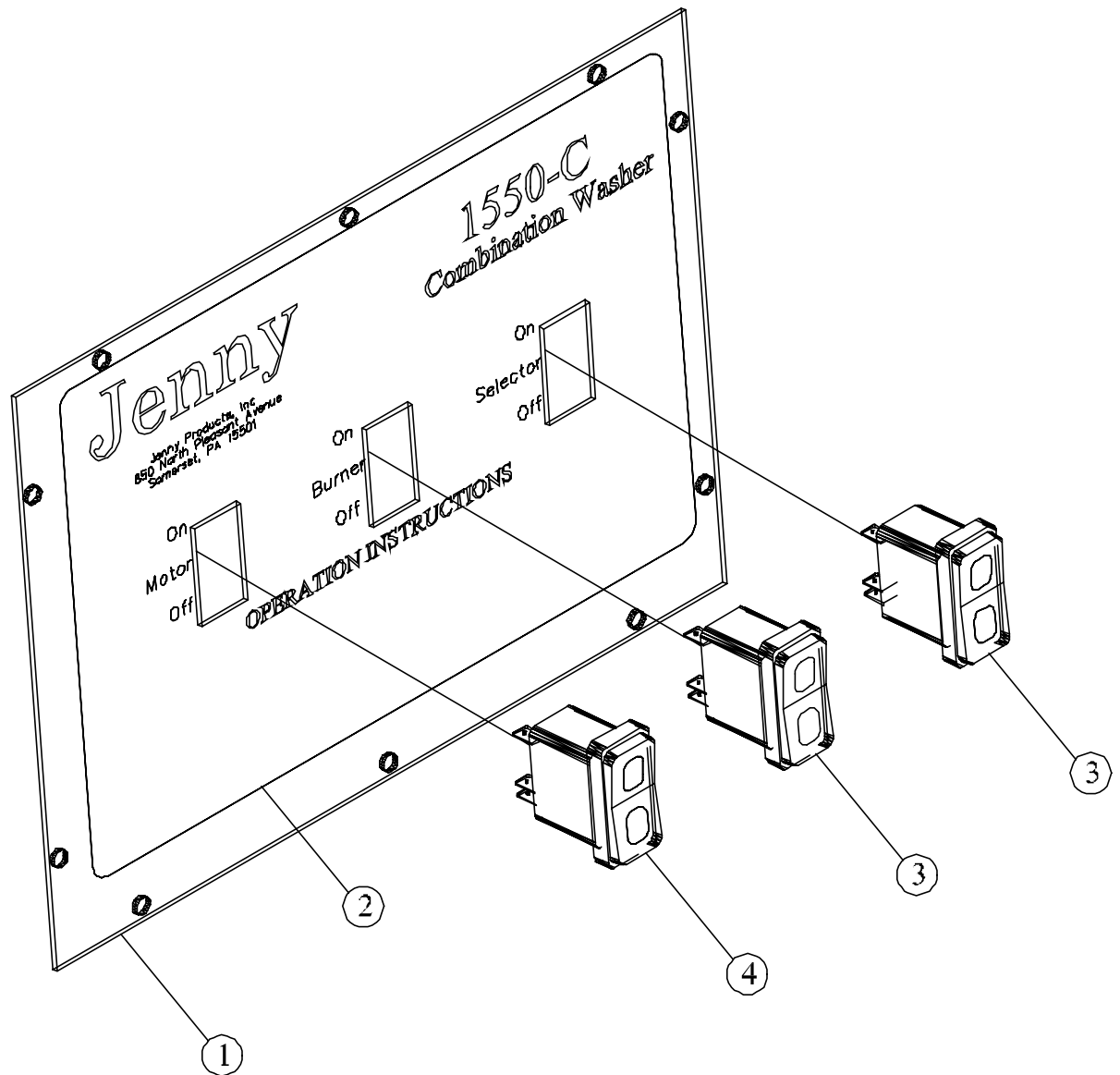


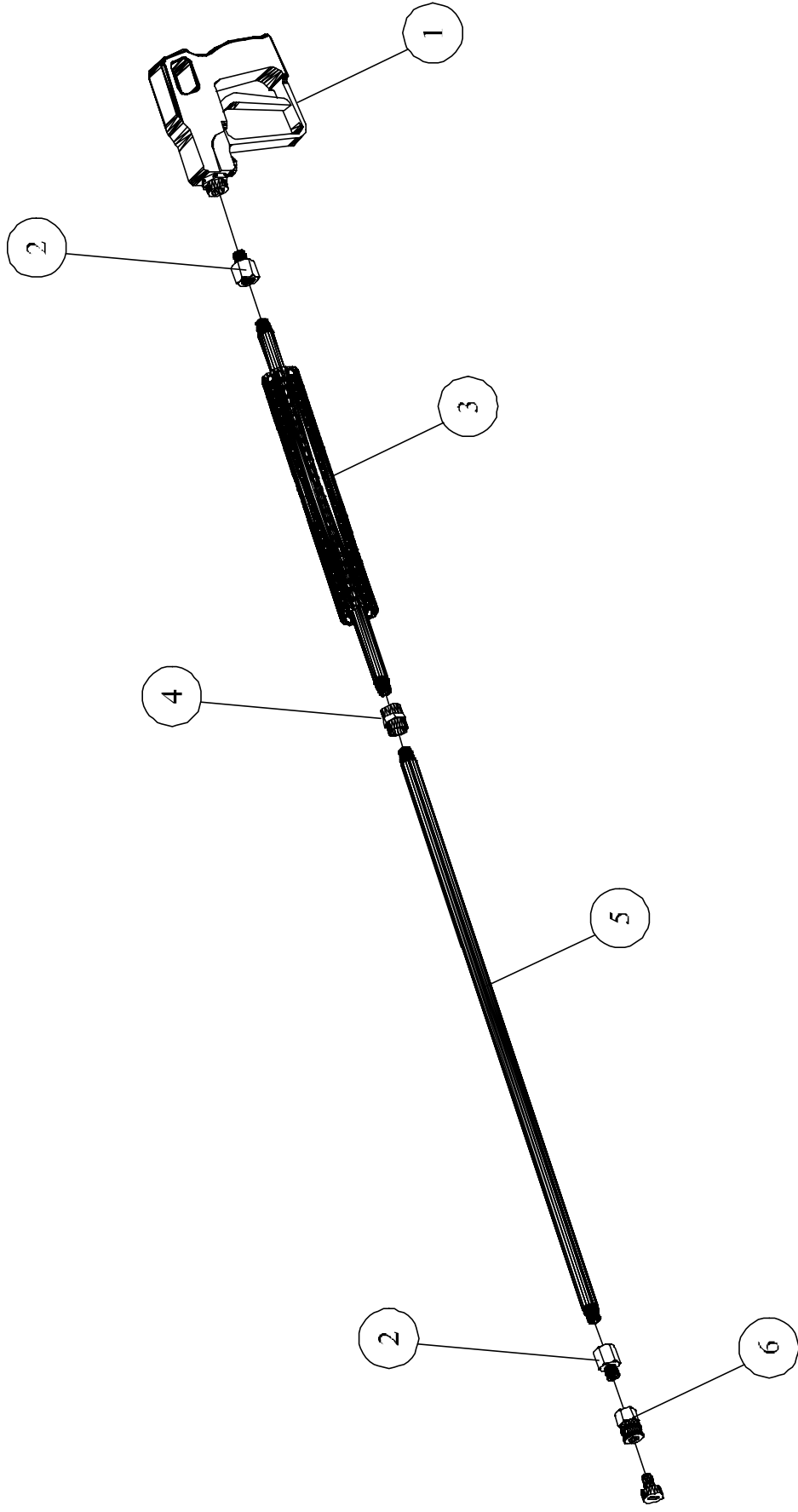
FIGURE 1-5 (Box, Junction, Panel, Front, 230-575/ 3PH, 30A, JE2002, 1550-C OEP, Assy)

ITEM NO.	DESCRIPTION	QTY.	PART NO.
1	PANEL, CONTROL, BOX, JUNCTION, STEEL, PAINTED	1	JD8007
2	DECAL, INDICATOR, HANDLE, VALVE, SOLUTION	1	JD7143
3	VALVE, NEEDLE, SOLUTION, BRASS, 1/4 IDHS-BARB	1	JD6248-A
4	DECAL, SOLUTION, METERING, VALVE	1	JD7821
5	CONNECTOR, RELIEF, STRAINER, 1/4-3/8, 1/2 NPTM	1	JD1687-06
6	CONNECTOR, RELIEF, STRAINER, 5/8-3/4, 3/4 NPTM	1	JD1687-17
7	PLUG, HOLE, PLASTIC, BLACK, 7/8"	1	JD3856
8	SCREW, FLANGE, HEX, SERR, ST, PL, 6-32 X 3/8	4	JD7900-A
9	BOARD, CIRCUIT, PRINTED, ALL, MACHINE	1	JB5000
10	PLATE, MOUNTING, PANEL, CONTROL, BOX, JNCT, ST	1	JD8008
11	SCREW, FLANGE, HEX, SERR, ST, PL, 1/4-20 X 3/8	4	JD7904
12	SCREW, FLANGE, HEX, SERR, ST, PL, 8-32 X 3/8	4	JD7901-B
13-A	TRANSFORMER, CONTROL, OPN, 100VA, 120-460 VP, 24V	1	JD2868
13-B	TRNSFRMR, CTRL, OPN, 100VA, 600VP, 24VS	1	JD3987-13
14	FUSE, ELEMENT, DUAL, DELAY, TIME, 250V, 6AMP	1	JD3107-11
15	TRANSFORMER, IGNITION, 24V, PRIM, 18000V, SEC	1	JB1502
16	PLATE, NAME, ALUM, TRANSFORMER, IGNITION, 24V	1	JB1502-01
17-A	CONTACTOR, DP, OP, 3P, 30A, 24V, W/ AUX CONTACT (BEFORE 5-1-01)	1	JD7651-B
17-B	STARTER, DP, OP, 3P, 50A, 24V, CA7-SERIES (AFTER 5-1-01)	1	JD7651-V
18	NUT, HEX, STEEL, PLATED, 10-32	1	JD 781
19	SCREEN, COVER, MACHINE, STEEL, PAINTED	1	JP7720-01
20	WASHER, FLAT, SS, 7/8 O.D X 5/32 I.D. X 20 GA	8	JP7720-03
21	RIVET, AL, .160-.164 HOLE, .063-.125 GRP, 5/32	8	JP7720-02
22	GROMMET, RUBBER, BLACK, 1-1/2 I.D.	1	JP 675
23	NUT, LOCK, CONDUIT, STEEL, PLATED, 1/2"	5	JP 809
24	NUT, LOCK, CONDUIT, STEEL, PLATED, 3/4"	2	JD7728
25-A	RELAY, OVERLOAD, THERMAL, PLUG-IN, 24-32AMPS 1PH (BEFORE 5-1-01)	1	JD7651-15
25-B	RELAY, OVERLOAD, THERMAL, PLUG-IN, 13-19AMPS 230/3 (BEFORE 5-1-01)	1	JD7651-13
25-C	RELAY, OVERLOAD, THERMAL, PLUG-IN, 6-8.5AMPS 460/3 (BEFORE 5-1-01)	1	JD7651-10
25-D	RELAY, OVERLOAD, THERMAL, PLUG-IN, 4.5-6.5A 575/3 (BEFORE 5-1-01)	1	JD7651-09
25-E	RELAY, OVERLOAD, THERMAL, PLUG-IN, 18-30A (AFTER 5-1-01)	1	JD7651-36
25-F	RELAY, OVERLOAD, THERMAL, PLUG-IN, 16-24A (AFTER 5-1-01)	1	JD7651-35
25-G	RELAY, OVERLOAD, THERMAL, PLUG-IN, 6-10A (AFTER 5-1-01)	1	JD7651-33
25-H	RELAY, OVERLOAD, THERMAL, PLUG-IN, 4-6A (AFTER 5-1-01)	1	JD7651-32
26	SCREW, FLANGE, HEX, SERR, STL, PLATED, 8-32 X 5/8LONG	2	JD7901-D



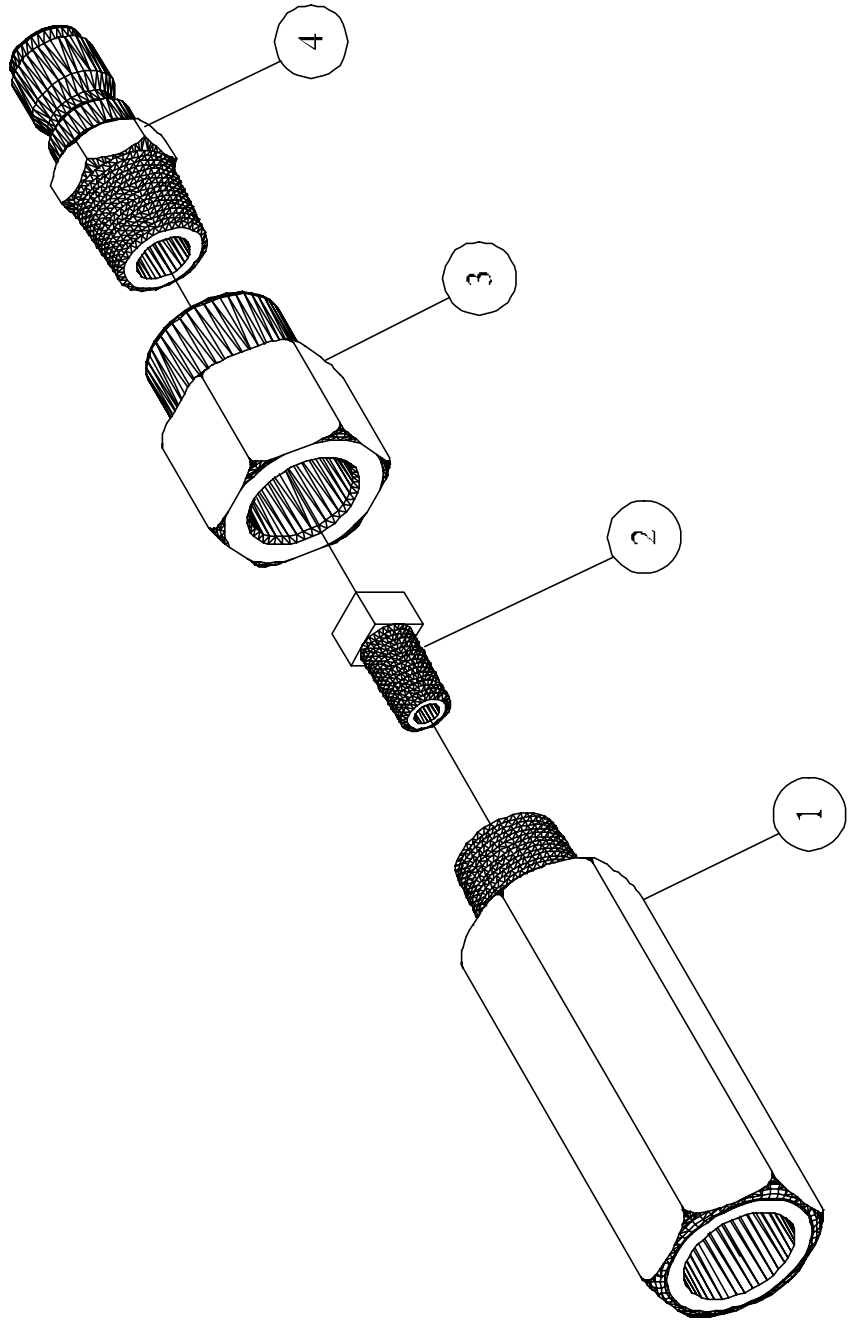
ITEM NO.	QTY.	DESCRIPTION	PART NO.
1	1	PLATE, COVER, PANEL, CONTROL, BOX, JUNC, CMB	JD8009-A
2	1	DECAL, PANEL, INSTRUCTION, 1550-C, OEP & GES	JD8419
3	2	SWITCH, ROCKER, SP, ST, 10A, 24V, LED, LIGHT	JE1004
4	1	SWITCH, ROCKER, DP, DT, OFF-ON-MOM, 10A, 24V	JE1006

FIGURE 1-6 (Plate, Cover, Panel, Instruction, 1550-C, Ass'y)



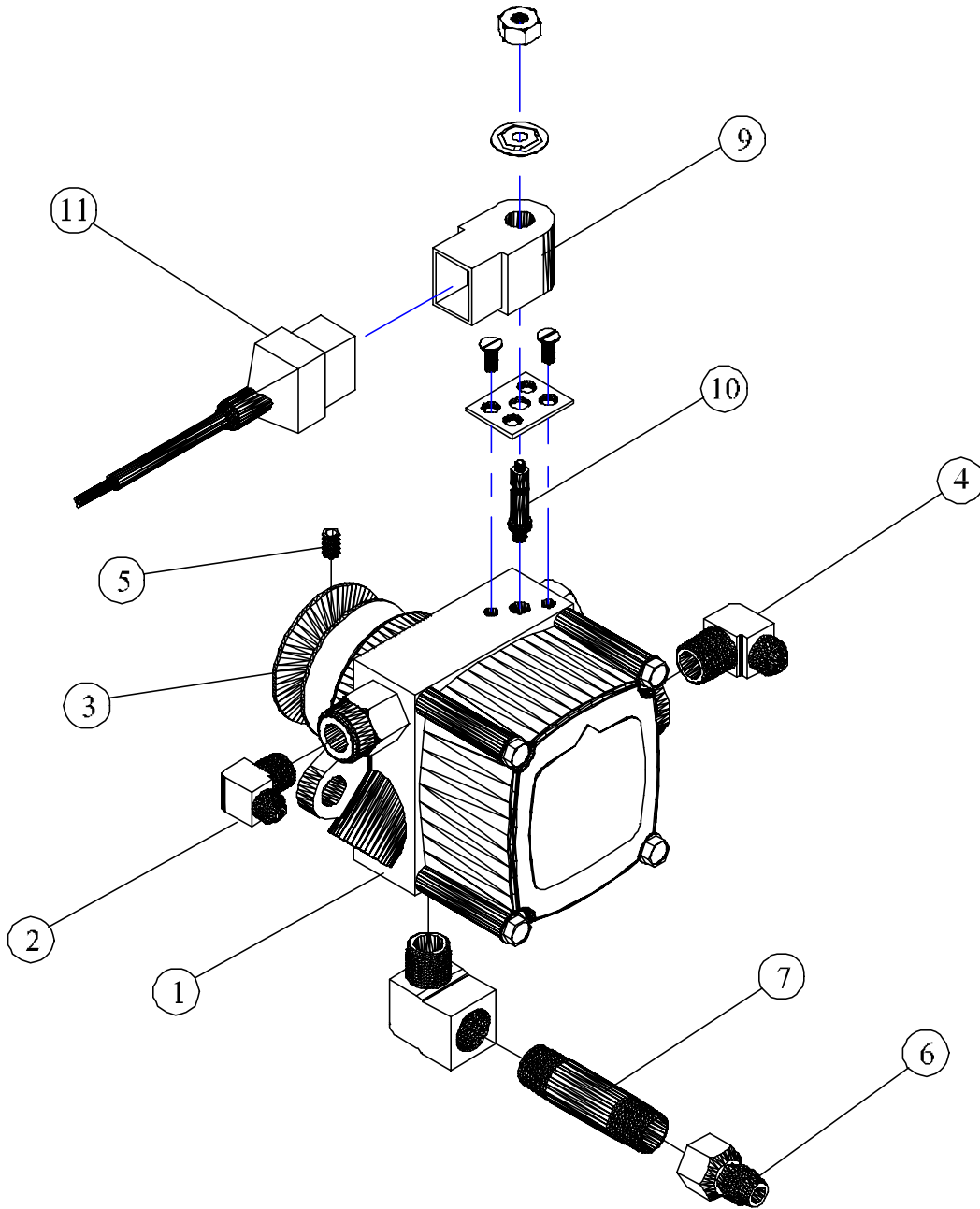
ITEM NO.	QTY.	DESCRIPTION	PART NO.
1	1	GUN, TRIGGER, 3000PSI, 8GPM, 320F	JD6068-B
2	2	ADAPTER, EXPANDING, STEEL, PLATED, 1/4M X 3/8F	JD6224
3	1	HANDLE, PERFORATED, SCH80, STEEL, ASSY, 3/8	JE 280-E
4	1	COUPLING, HEX, STEEL, PLATED, 3/8NPT X 3/8NPT	JD 907-04
5	1	NIPPLE, STEEL, SCH80, 3/8NPT X 28 LONG	JD 963
6	1	SOCKET, QUICK, COUPLING, BRASS, 1/4M X 3/8F	JD3102-02

FIGURE 1-7 (GUN, SCH80, N/C, W/O, SWIVEL, ASSY, 3/8", JP4261-H)



ITEM NO.	QTY.	DESCRIPTION	PART NO.
1	1	NOZZLE, STEAM, 3/4 HEX, STEEL, PLATED, TAPPED	JP3308-B
2	1	ORIFICE, STEAM, SS, #46	JP3175-09
3	1	COUPLING, HEX, BRASS, 3/8NPTF X 1/4 NPTF	JD 920-01
4	1	PLUG QUICK, COUPLING, BRASS, 1/4" NPTM	JD3103-04

FIGURE 1-8 (NOZZLE, STEAM, COMBINATION, FITTING, 1550-C, ASSY)



ITEM NO.	QTY.	DESCRIPTION	PART NO.
1	1	PUMP, OIL, FUEL, SNGLSTGE, 3GPM, 3450RPM, 24V	JD3306-F
2	1	ELBOW, MALE, BRASS, 1/4-45 SAE X 1/8 NPT	JD 651
3	1	PULLEY, CRS, SG, 1-3/4" OD X 5/16" ID (3L BELT)	JD3233-03
4	1	ELBOW, MALE, BRASS, 1/4-45 SAE X 1/4 NPT	JD 652
5	1	SCREW, SET, HEX, SOC, CUP, PNT, NYLK, 8-32X3/16	JD3241
6	1	CONNECTOR, FEMALE, BRASS, 1/4"-45° SAE X 1/4NPT	JD2391
7	1	NIPPLE, BRASS, 1/4 NPT X 2 LONG	JD 745-01
8	1	ELBOW, STREET, BRASS, 1/4 NPT	JD 670
9	1	COIL, SOLENOID, FUEL, 12DC/24VAC, SUNTEC,	JD3306-09
10	1	STEM-ASSY, SOLENOID, PUMP, FUEL, 12/24V	JD3306-08
11	1	CORDSET, VALVE, SOLENOID, FUEL, SUNTEC	JD3306-E

FIGURE 1-9 (PUMP, FUEL, JENNY-BURNER, JP7738, 1550-C OEP, ASSY)

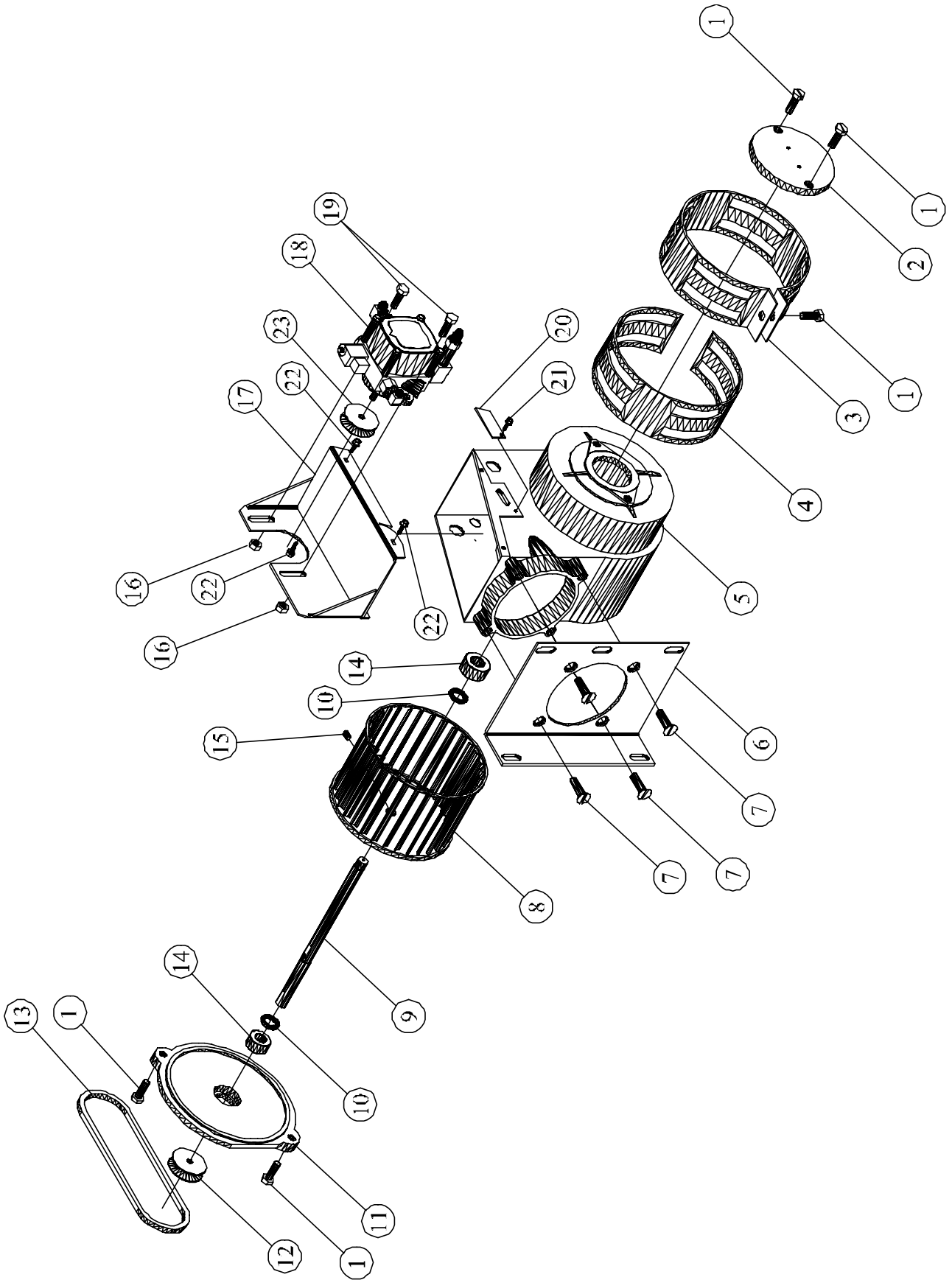
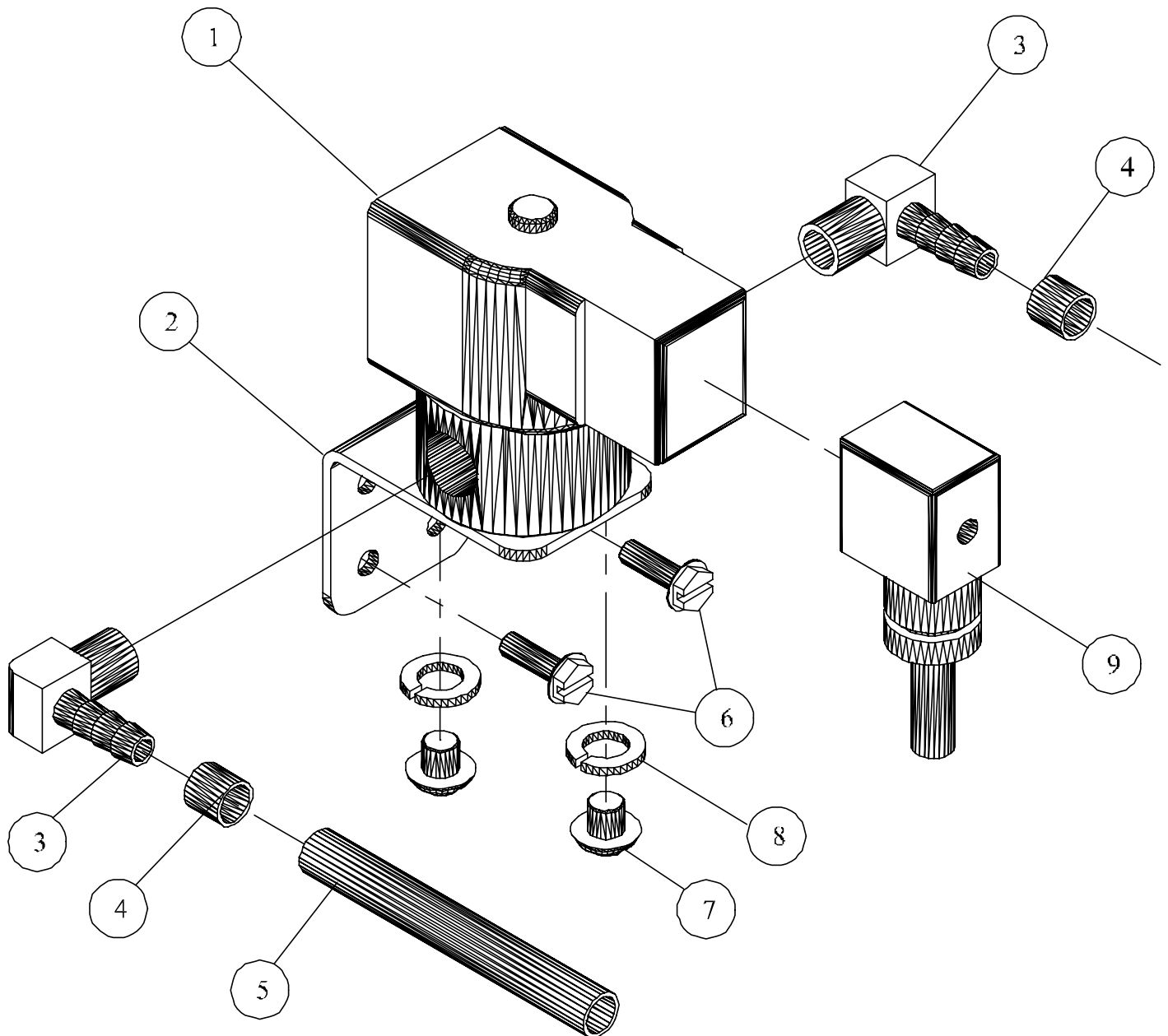


FIGURE 1-10 (Blower, Air, JB2000, 6" OD X 4" W X 1/2" Shaft, Assy)

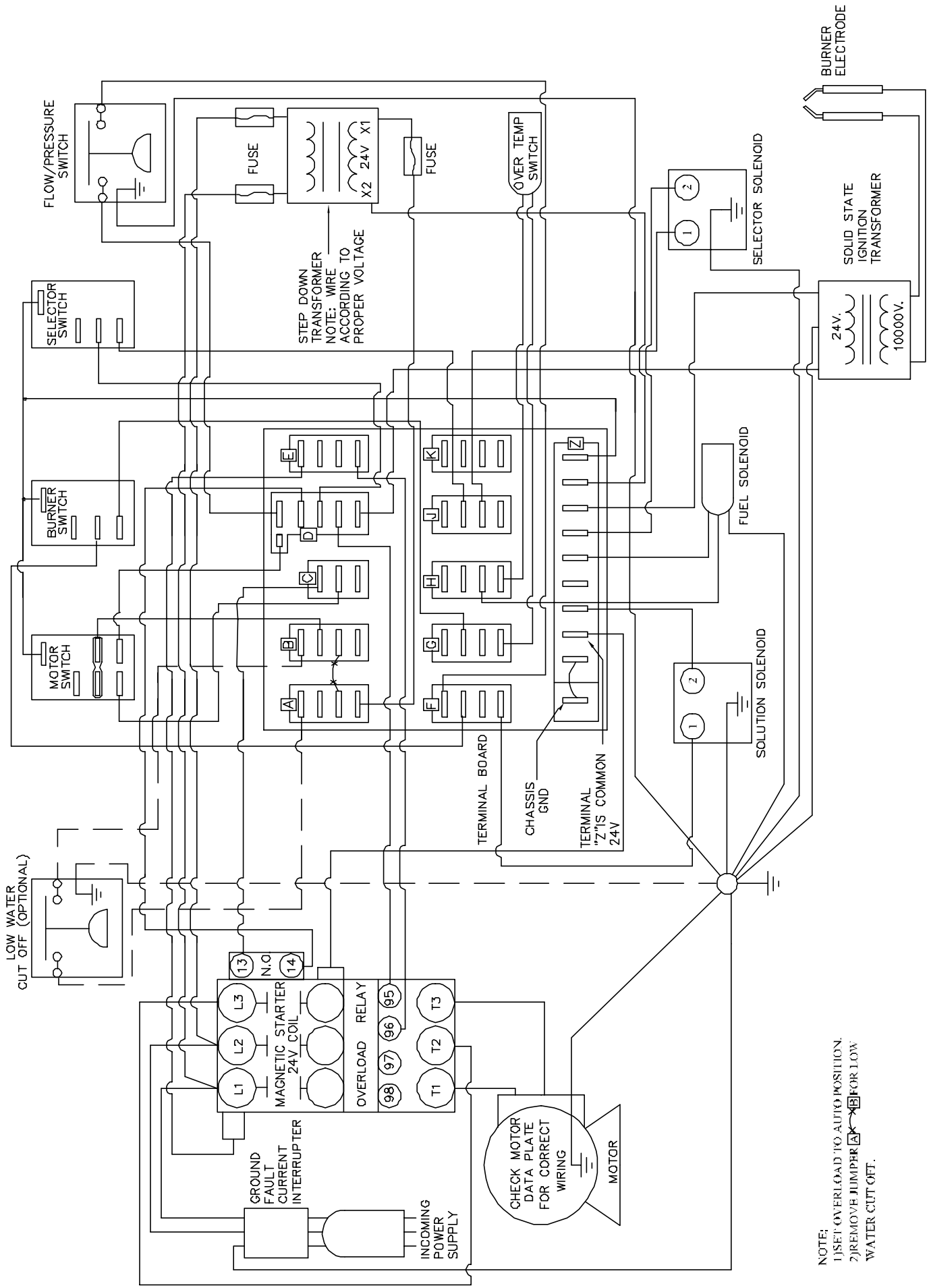
1550-C OEP, Blower, Air, JB2000
6" ODX 4"W X 1/2" Shaft Assy

ITEM NO.	DESCRIPTION	QTY.	PART NO.
1	SCREW, MACHINE, HEX, SERR, ST, PL, 5/16-18 X 7/8	5	JB2012
2	RETAINER, BEARING, ALUMINUM, BAND, AIR	1	JB2006
3	BAND, AIR, OUTER, STEEL, PLATED, 8 HOLE	1	JB2003
4	BAND, AIR, INNER, STEEL, PLATED, 7 HOLE	1	JB2002
5	HOUSING, BLOWER, ALUMINUM, 6.25OD X 4.0 WHEEL	1	JB2001
6	PLATE, MOUNTING, ST, PLATED, ADAPTER, CHASSIS	1	JB2010
7	SCREW, MACHINE, UNDERCUT, SLT, FLT, 5/16-18 X 5/8	4	JB2013
8	WHEEL, BLOWER, ST, 6.25 OD X 4.0W 1/2" SHAFT	1	JB2007
9	SHAFT, BLOWER, STEEL, 0.50 DIA. X 9.562 LONG	1	JB2008
10	RING, RETAINER, EXTERIOR, STEEL, 1/2	2	JB2015
11	FLANGE, ALUMINUM, RETAINER, BEARING, N-FLANG	1	JB2009
12	PULLEY, CRS, SG, 1-3/4 OD X 1/2 ID (3L BELT)	1	JD3233-04
13	BELT, VEE, FHP, 3L230	1	JD3509
14	BEARING, BALL, 1.375OD X .500 ID X .437 WIDE	2	JB2011
15	SCREW, SET, HEX-SKT, KNURL-PNT, 5/16-24 X 3/8L	1	JB2017
16	NUT, LOCK, FLANGE, HEX, SERR, ST, PL, 5/16-18	2	JD7774-E
17	PLATE, MOUNTING, PUMP, FUEL, STEEL, PAINTED	1	JB2005
18	ASSY SEE FIG 1-9 PUMP, FUEL, ASSY, JENNY-BURNER	1	JP7738
19	SCREW, FLANGE, HEX, SERR, ST, PL, 5/16-18 X 3/4	2	JD7905-B
20	PLATE, COVER, SLOT, STEEL, PLATED, 18GA X 1 X 2.5	1	JB2004
21	SCREW, SELFTAP, HEX, SERRATED, FLT, 10-24 X 3/8	1	JB2014
22	SCREW, SLF DRL, HEX, WASHER, PLATED #10 X 5/8	3	JD7074-A
23	PULLEY, CRS, SG, 1-3/4" ODX 5/16" ID (3L BELT)	1	JD3233-03



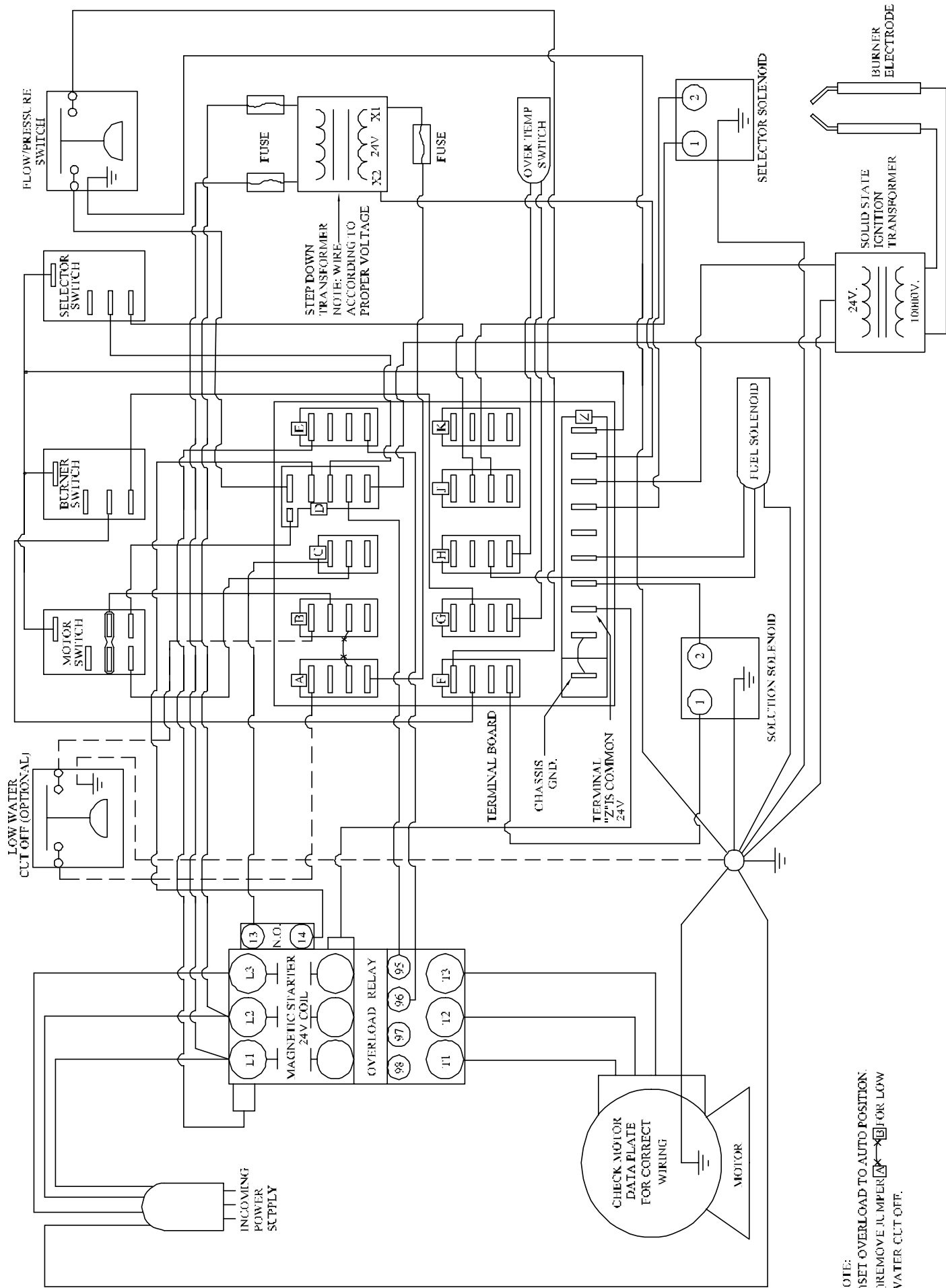
ITEM NO.	QTY.	DESCRIPTION	PART NO.
1	1	VALVE, SOLENOID, SOLUTION, 12V, 1/4NPT	JD2162-F
2	1	BRACKET, MOUNTING, SOLUTION, SOLENOID	JD7760
3	2	BARB, HOSE, ELBOW, MALE, BRASS, 1/4HS X 1/4 NPT	JD7078
4	2	CLAMP, SLEEVE, PLASTIC, 3/8 I.D.	JD2759
5	1	TUBING, PVC, CLEAR, 3/8 O.D. X 1/4 I.D.	JD3087
6	2	SCREW, SLF, DRL, HEX WASHER, PLTD, #10 X 5/8	JD7074-A
7	2	SCREW, MACHINE, PHILLIPS, ST, PL, 10-32 X 3/8	JD3234
8	2	WASHER, LOCK, SPLIT, STEEL, PLATED, #10	JD624
9	1	CONNECTOR, SOLENOID, RELIEF, STRAIN, DIN	JD7703

FIGURE 20-1 (VALVE, SOLUTION, SOLENOID, JD2162-F, ASSY)



NOTE:
 1) SET OVERLOAD TO AUTO POSITION.
 2) REMOVE JUMPER [X] FOR LOW WATER CUT OFF.

(Electrical Schematic Diagram) Oil Fired, Hot Pressure Washer/ Steam Cleaner W/ Mom-On, 230/1PH, JB File Name: JW 101



NOTE:
 1) SET OVERLOAD TO AUTO POSITION.
 2) REMOVE BURNER ELECTRODE FOR LOW WATER CUT OFF.

(Electrical Schematic Diagram) Oil Fired, Combination W/ Mom-On, 3PH, JB File Name: JW 102